



WHERE
TECHNOLOGY
MEETS
AESTHETICS

FARPLAS
LIGHTING
PRODUCTS







LIGHTING PRODUCTS

Dear Customer,

The lighting system of a vehicle, not only plays an important role in passenger safety, but also affects a vehicle's general appearance. All Farplas lighting products are designed and produced by Farplas according to European regulations under the Farplas patent.

Lighting is one of the core business areas of Farplas. We are the preferred lighting supplier of almost all Commercial vehicle OE manufacturers in Turkey, not to mention our global customers. Farplas offers tail lamps, exterior signal, and interior lighting systems for commercial vehicles.

At Farplas, we try to combine good taste, technology, aesthetics and current trends into our products and we take great pride in delivering our customers the perfect quality.

Farplas.

INDEX

Multi-Function Lamps	01
Tail Lamps	08
Signal / Position Lamps	15
Side Marker Lamps	21
Retro-reflectors	23
Number Plate Lamps	24



PART NO	Cable Gland Type	Grommet Type	7-Plug Connector	8-Plug Connector	Right	Left	Horizontal Mounting	Number Plate	Side Marker	Cable Installed
02MFL2005-015			●			●	●	●	●	
02MFL2005-016			●			●	●	●	●	
02MFR2005-015			●		●		●	●	●	
02MFR2005-016			●		●		●	●	●	
02MFL2005-017	●					●	●	●	●	
02MFL2005-018	●					●	●	●	●	
02MFR2005-017	●				●		●	●	●	
02MFR2005-018	●				●		●	●	●	
02MFL2005-022		●				●	●	●	●	●
02MFL2005-023		●				●	●	●	●	●
02MFR2005-022		●			●		●	●	●	●
02MFR2005-023		●			●		●	●	●	●
02MFL2005-024		●				●	●	●	●	●
02MFL2005-025		●				●	●	●	●	●
02MFR2005-024		●			●		●	●	●	●
02MFR2005-025		●			●		●	●	●	●
02MFL2005-026		●				●	●	●	●	●
02MFL2005-027		●				●	●	●	●	●
02MFR2005-026		●			●		●	●	●	●
02MFR2005-027		●			●		●	●	●	●
02MFL2005-028		●				●	●	●	●	●
02MFL2005-029		●				●	●	●	●	●
02MFR2005-028		●			●		●	●	●	●
02MFR2005-029		●			●		●	●	●	●
02MFL2005-031			●			●	●	●	●	●
02MFL2005-032			●			●	●	●	●	●
02MFR2005-031			●		●		●	●	●	●
02MFR2005-032			●		●		●	●	●	●

For Horizontal Surface Mounting

Reversing, rear fog, stop, tail, turn signal, triangle retro - reflector, LED side marker with retro reflector, illumination for 520 x 120mm. number plate.

Spare Parts

02YFU2005-001 Lens

Bulbs to Be Used

R5W (24/12V)

P21W (24/12V)

PY21W (24/12V)

R10W(24/12V) (Number Plate)

Notes

7 plug connector AMP 0-1718230-1

Cable 500 mm. long

Approvals

E9-38R-00 1364

E9-6R-01 1364

E9-23R-00 1364

E9-7R-02 1364

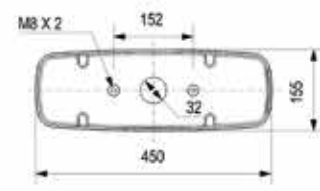
E9-7R-02 1364

E9-4R-00 1130

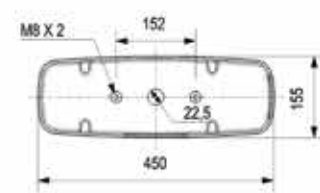
E9-3R-02 1335

E9-91R-00 1335

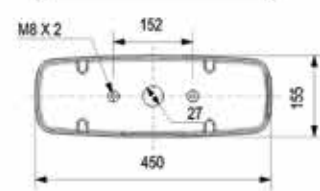
E9-3R-02 1337



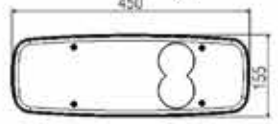
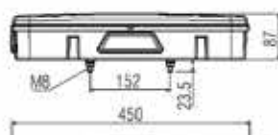
7 Plug Connector

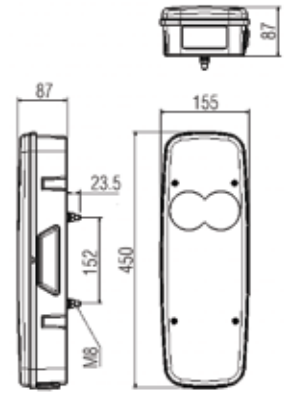


Grommet Type



Cable Gland Type





For Horizontal and Vertical Surface or Flush Mounting

Reversing, stop, tail, turn signal, round retro - reflector Ø 80 mm., rear fog, LED side marker with retro reflector, illumination for 520 x 120mm. number plate.

Approvals

- E9-38R-00 1364
- E9-6R-01 1364
- E9-23R-00 1364
- E9-7R-02 1364
- E9-7R-02 1364
- E9-4R-00 1130
- E9-3R-02 1335
- E9-91R-00 1335
- E9-3R-02 1336

Spare Parts

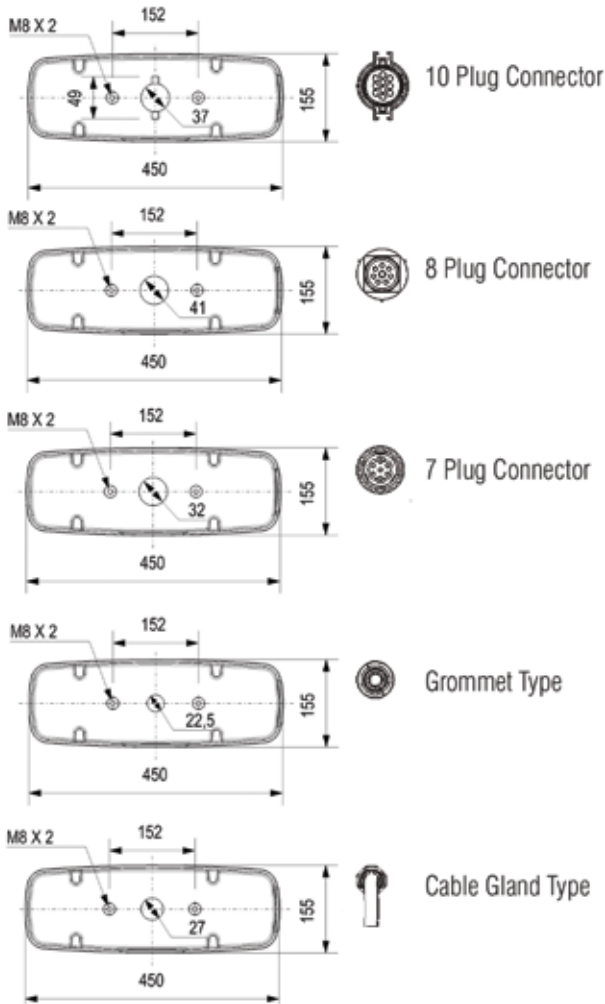
02YFU2005-001 Lens

Bulbs to Be Used

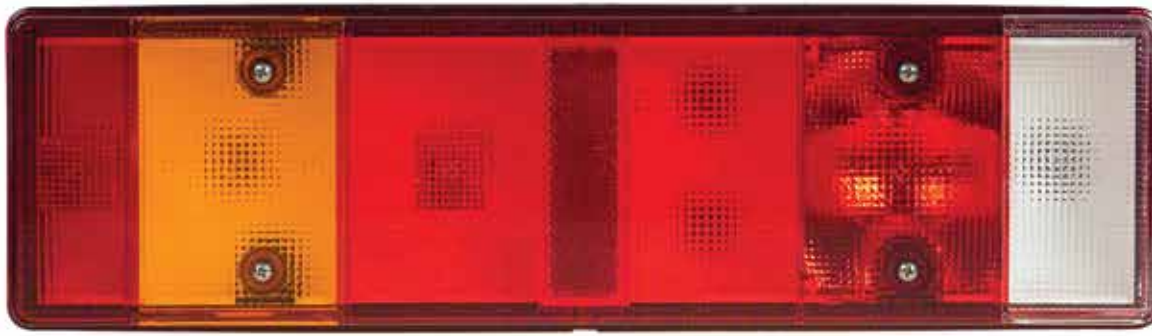
- R5W (24/12V)
- P21W (24/12V)
- PY21W (24/12V)
- R10W(24/12V) (Number Plate)

Notes

- 10 plug connector AMP281924-2
- 7 plug connector AMP 0-1718230-1
- Cable 500 mm. long

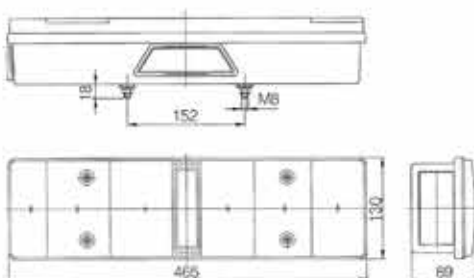
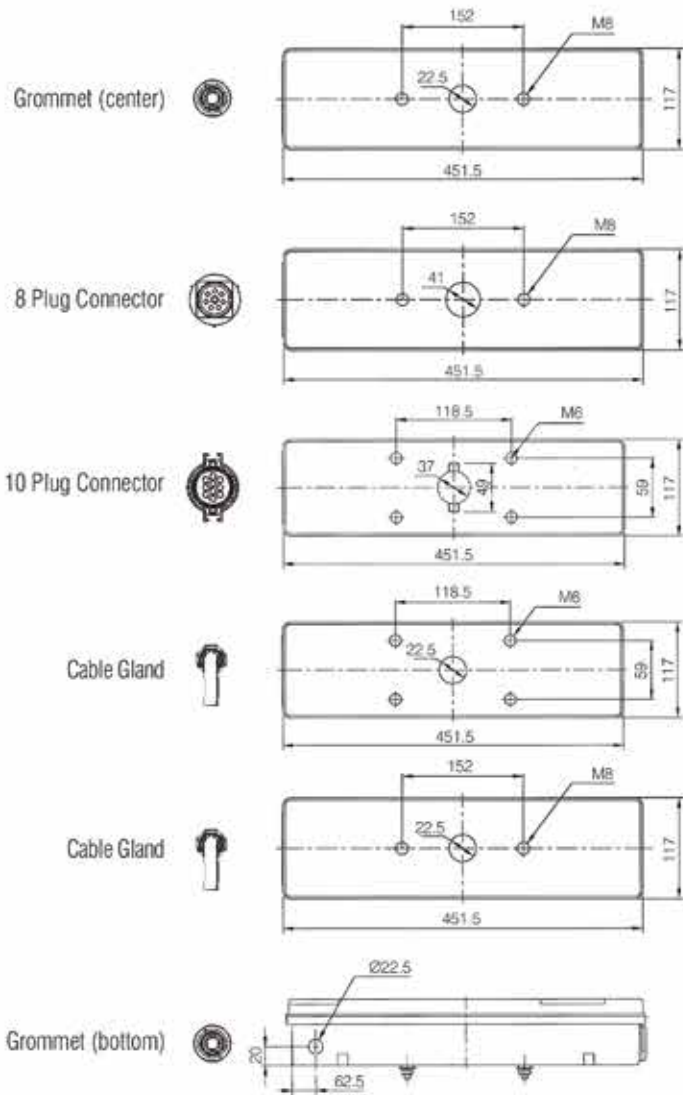


PART NO	DESCRIPTION											
	10-Plug Connector	Cable Gland Type	Grommet Type	7-Plug Connector	8-Plug Connector	Right	Left	Vertical Mounting	Horizontal Mounting	Number Plate	Side Marker	Cable Installed
02MFL2005-001				●			●	●	●	●	●	
02MFL2005-002				●			●	●	●	●	●	
02MFR2005-001				●		●		●	●	●	●	
02MFR2005-002				●		●		●	●	●	●	
02MFL2005-003	●						●	●	●	●	●	
02MFL2005-004	●						●	●	●	●	●	
02MFR2005-003	●					●		●	●	●	●	
02MFR2005-004	●					●		●	●	●	●	
02MFL2005-005			●				●	●	●	●	●	
02MFL2005-006			●				●	●	●	●	●	
02MFR2005-005			●			●		●	●	●	●	
02MFR2005-006			●			●		●	●	●	●	
02MFL2005-007	●						●	●	●	●	●	
02MFL2005-008	●						●	●	●	●	●	
02MFR2005-007	●					●		●	●	●	●	
02MFR2005-008	●					●		●	●	●	●	
02MFL2005-009					●		●	●	●	●	●	
02MFL2005-010					●		●	●	●	●	●	
02MFR2005-009					●	●		●	●	●	●	
02MFR2005-010					●	●		●	●	●	●	
02MFL2005-011				●			●	●	●	●	●	
02MFL2005-012				●			●	●	●	●	●	
02MFR2005-011				●		●		●	●	●	●	
02MFR2005-012				●		●		●	●	●	●	
02MFL2005-013			●				●	●	●	●	●	●
02MFL2005-014			●				●	●	●	●	●	●
02MFR2005-013			●			●		●	●	●	●	●
02MFR2005-014			●			●		●	●	●	●	●
02MFL2005-019				●			●	●	●	●	●	
02MFL2005-020	●						●	●	●	●	●	
02MFR2005-019				●			●	●	●	●	●	
02MFR2005-020	●					●		●	●	●	●	



For horizontal surface mounting

Reversing, rear fog, tail, stop, turn signal, retro-reflector, end-outline marker, side marker with retro - reflector, illumination for 520x120 mm number plate



PART NO	DESCRIPTION		LEFT	RIGHT	REAR CENTER GROMMET	BOTTOM SIDE GROMMET	8-PLUG CONNECTOR (REAR CENTER)	10-PLUG CONNECTOR & 4 BOLTS	CABLE GLANT & 2 BOLTS*	CABLE GLANT & 4 BOLTS*	NUMBER PLATE
	LEFT	RIGHT									
02MFL0008-001			●		●						●
02MFR0008-112				●	●						●
02MFL0008-010			●		●						
02MFR0008-001				●	●						
02MFL0008-101			●				●				●
02MFR0008-111				●			●				●
02MFL0008-110			●				●				
02MFR0008-101				●			●				
02MFL0008-848			●					●			●
02MFL0008-849			●					●			
02MFR0008-847				●				●			
02MFL0008-829			●							●	●
02MFL0008-828			●							●	
02MFR0008-827				●						●	
02MFL0008-929			●						●		●
02MFL0008-928			●						●		
02MFR0008-927				●					●		
02MFL0008-200			●			●					●
02MFR0008-203				●		●					●
02MFL0008-202			●			●					
02MFR0008-201				●		●					

* Rear center entry cables, 500 mm long

Approvals

E4-3R-02	9542	E4-23R-00	9542
E4-7R-02	9542	E4-91R-00	9543
E4-38R-00	9542	E4-3R-02	9543
E4-6R-01	9542	E4-4R-00	4053

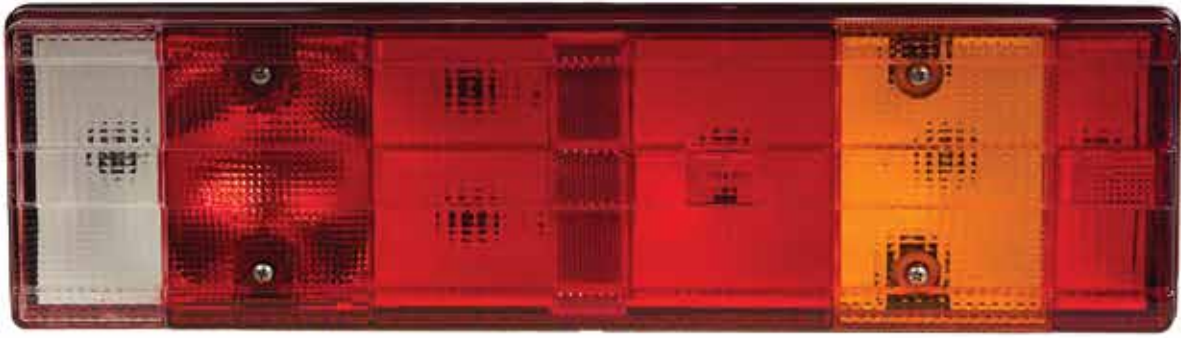
Spare Parts

02YFL0008-001	Left, Lens
02YFR0008-001	Right, Lens

Bulbs to be used

P21W (12V, 24V)	Reversing, rear fog, stop, turn signal
R5W (12V, 24V)	Tail, end-outline marker, number plate

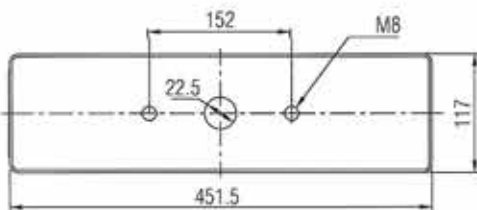




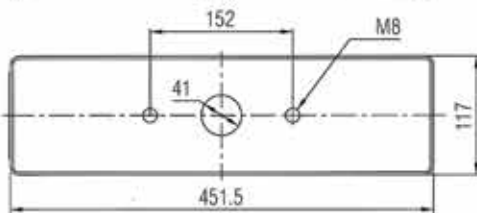
For horizontal surface mounting

Reversing, rear fog, tail, stop, turn signal, retro - reflector, end - outline marker, side marker with retro - reflector, illumination for 520x120 mm number plate

Grommet (center)



8 Plug Connector



PART NO	DESCRIPTION				
	LEFT	RIGHT	REAR CENTER GROMMET	8-PLUG CONNECTOR (REAR CENTER)	NUMBER PLATE
02MFL0008-002	●		●		●
02MFR0008-021		●	●		●
02MFL0008-020	●		●		
02MFR0008-002		●	●		
02MFL0008-121	●			●	●
02MFR0008-122		●		●	●
02MFL0008-120	●			●	
02MFR0008-121		●		●	

E Approvals

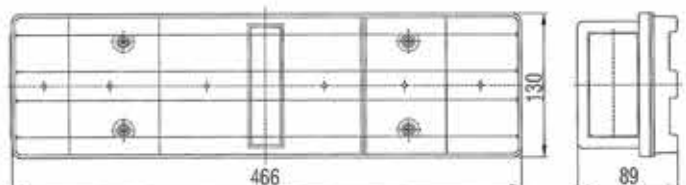
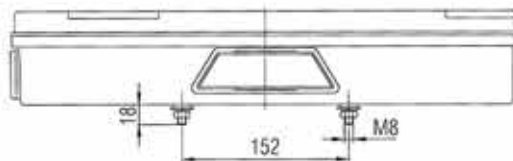
E4-3R-02	9565	E4-6R-01	9565
E4-7R-02	9565	E4-23R-00	9565
E4-38R-00	9565	E4-3R-02	9543
E4-91R-00	9543	E4-4R-00	4053

Spare Parts

02YFL0008-002	Left, Lens
02YFR0008-002	Right, Lens

Bulbs to be used

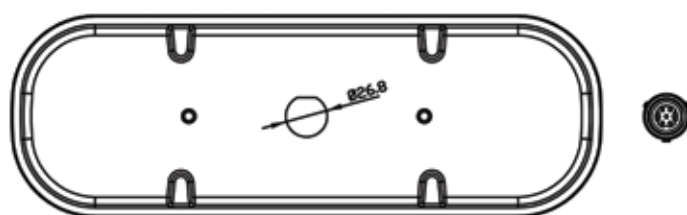
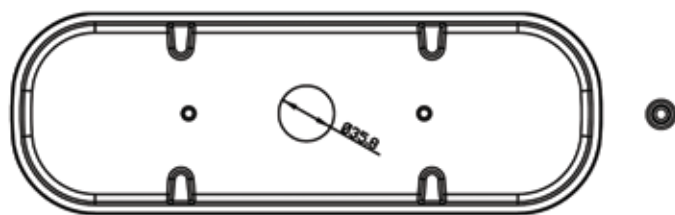
P21W (12V, 24V)	Reversing, rear fog, stop, turn signal
R5W (12V, 24V)	Tail, end-outline marker, number plate





For horizontal or vertical surface mounting

Reversing, rear fog, tail, stop turn signal, retro-reflector



PART NO	DESCRIPTION	REAR CENTER GROMMET	REAR CENTER - 7 PLUG	REAR CENTER - CABLE (300 mm long)
02MFU2007-001		●		
02MFU2007-002			●	
02MFU2007-003				●

Ⓔ Approvals

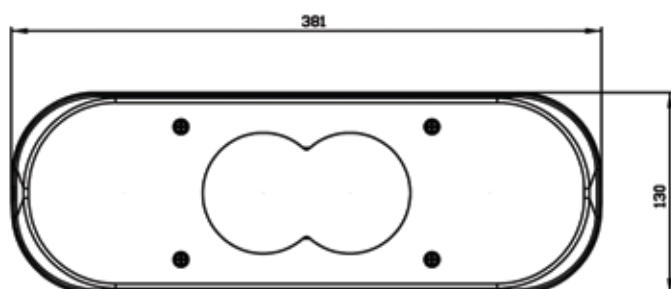
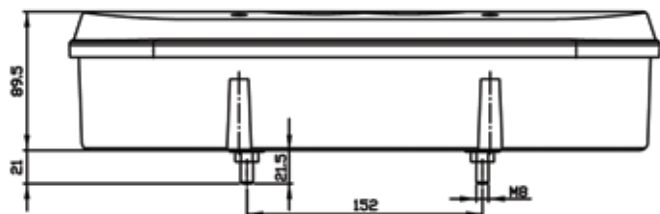
- E9-6R-01 1894
- E9-7R-02 1894
- E9-23R-00 1894
- E9-38R-00 1894
- E9-3R-02 1894

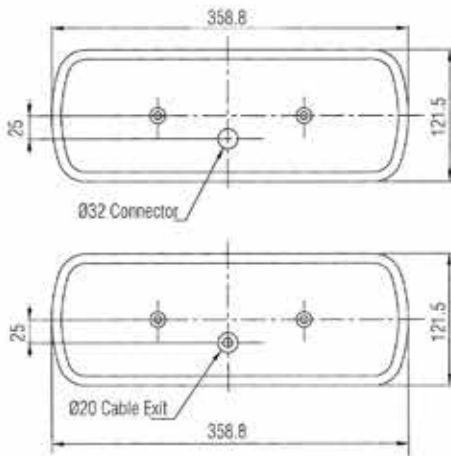
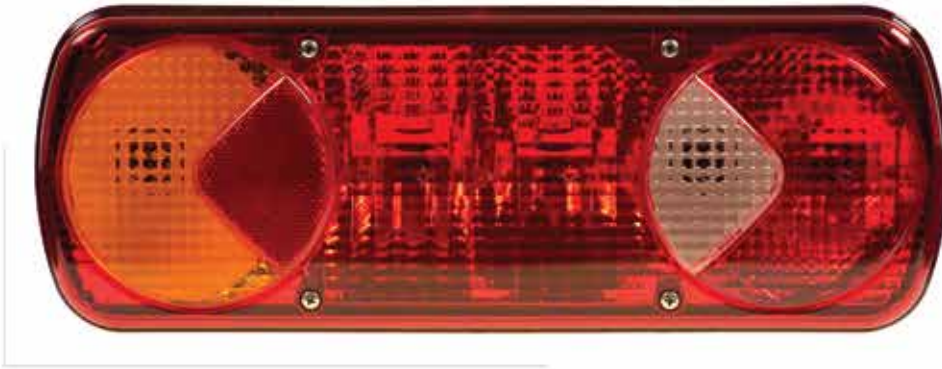
Spare parts

02YFU2007-001 Lens

Bulb be used

- P21/5W (12V,24V) Stop/tail
- PY21W (12V,24V) Turn signal
- P21W (12V,24V) Reversing, rear fog

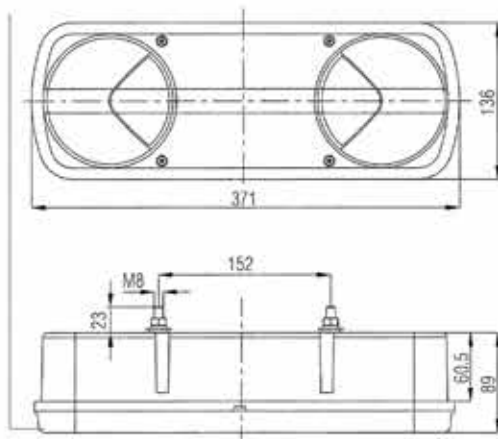




For horizontal or vertical surface mounting

Reversing, rear fog, tail, stop, turn signal, retro - reflector

PART NO.	DESCRIPTION						
	LEFT	RIGHT	HORIZONTAL	VERTICAL	REAR CENTER GROMMET	REAR CENTER - 7 PLUG	REAR CENTER - CABLE (300 mm long)
02MFL1010-008	●		●		●		
02MFR1010-008		●	●		●		
02MFL1010-007	●		●			●	
02MFR1010-007		●	●			●	
02MFL1010-009	●		●				●
02MFR1010-009		●	●				●
02MFL1010-012	●			●	●		
02MFR1010-012		●		●	●		
02MFL1010-010	●			●		●	
02MFR1010-010		●		●		●	
02MFL1010-011	●			●			●
02MFR1010-011		●		●			●



Ⓔ Approvals

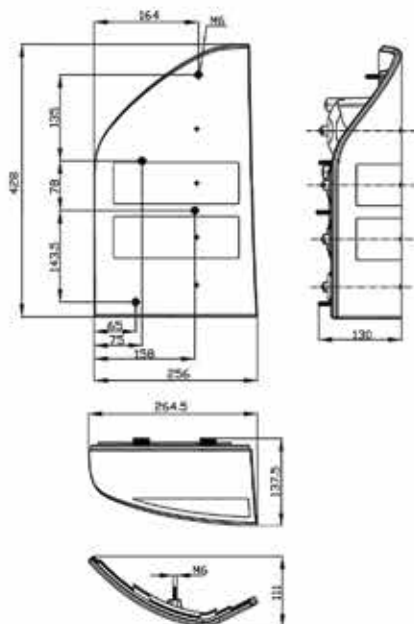
E9-3R-02	1123	E9-7R-02	1123
E9-6R-01	1123	E9-23R-00	1123
E9-7R-02	1123	E9-38R-00	1123

Spare Parts

02YFU1010-005 Lens

Bulbs to be used

P21W (12V, 24V) Reversing, rear fog, stop, turn signal
R5W (12V, 24V) Tail



For flush mounting

Stop, tail, turn signal, reversing
(Mercedes-Benz, Conecto & Intouro)

02MFL7664-001 Left
02MFR7764-001 Right

Retro-reflector

02MFL0074-001 Left
02MFR0174-001 Right

Approvals

E9-6R-01 1476
E9-7R-02 1476
E9-23R-00 1476
E9-3R-02 1476

Bulbs to be used

P21W (12V, 24V) Reversing, stop
PY21W (12V, 24V) Turn signal
R5W (12V, 24V) Tail

For Surface Mounting and Flush - Fitting

With 25 LEDs *
 Aesthetical hidden LEDs
 Entry cables, 300 mm long
 Clear lens
 EMC approval

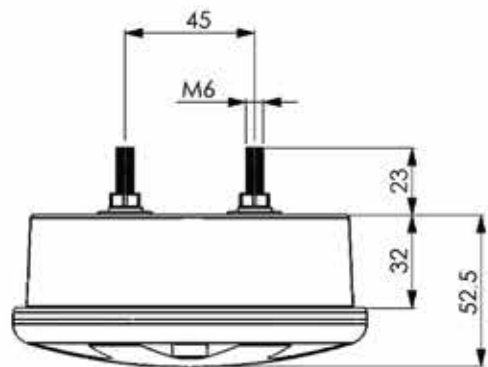


TAIL LAMBS

Ⓔ Approvals

- E9-6R-01 1592
- E9-7R-02 1592
- E9-6R-01 1591
- E9-7R-02 1591
- E-97R-02 1590
- E9-7R-02 1589
- E9-38R-00 1589
- E9-10R-02 6146

PART NO	DESCRIPTION										
		12V	24V	REVERSING	REAR FOG	TAIL	STOP	STOP / TAIL	TAIL / TURN SIGNAL	STOP / TAIL / TURN SIGNAL	TURN SIGNAL
02MFU1607-001			•	•							
02MFU1608-001		•		•							
02MFU1607-002			•		•						
02MFU1608-002		•			•						
02MFU1607-003			•			•					
02MFU1608-003		•				•					
02MFU1607-004			•				•				
02MFU1608-004		•					•				
02MFU1607-005			•					•			
02MFU1608-005		•						•			
02MFU1607-006			•						•		
02MFU1608-006		•							•		
02MFU1607-007			•							•	
02MFU1608-007		•								•	
03MFU1607-001			•								•
03MFU1608-001		•									•



* In multifunctional lamps, 7 LEDs for Stop/Tail function and 18 LEDs for Turn signal function





For rear and front flush mounting

Rear fog, stop, tail, stop/tail, reversing, turn signal

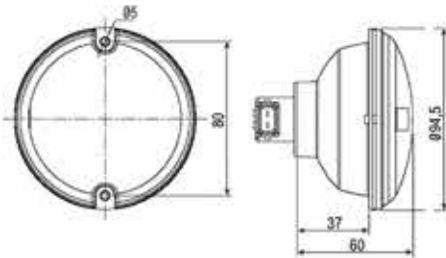
- 02MFU8916-001 Rear fog
- 02MFU8917-001 Stop
- 02MFU8918-001 Tail
- 02MFU8919-001 Stop/tail
- 02MFU8921-001 Reversing
- 03MFU8922-001 Rear turn signal
- 03MFU8923-001 Rear turn signal-PY21W
- 03MFU8924-001 Front turn signal
- 03MFU8926-001 Front turn signal-PY21W
- 02MFU8927-001 Front tail

Ⓔ Approvals

E9-7R-02 1483	E9-6R-01 1484
E9-7R-02 1484	E9-6R-01 1485
E9-7R-02 1485	E9-6R-01 1486
E9-7R-02 1486	E9-23R-00 1483
E9-6R-01 1483	E9-38R-00 1463

Bulbs to be used

- P21W (12V, 24V) Rear fog, reversing, turn signal
- P21/5W (12V, 24V) Stop/tail
- PY21W(12V,24V) Front signal, rear signal
- R5W Front position



For rear and front flush mounting

Turn signal, front turn signal, stop/tail, tail, front position

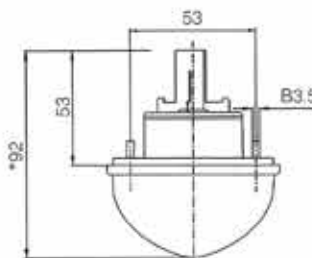
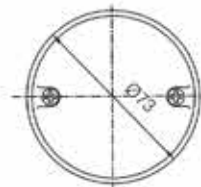
- 03MFU6515-001 Turn signal
- 03MFU6513-001 Front turn signal
- 02MFU6514-001 Front position
- 02MFU1001-001 Stop/tail
- 02MFU6523-001 Tail

Ⓔ Approvals

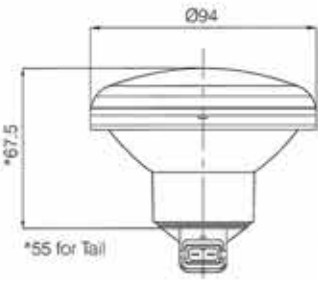
E9-6R-01 1106	E9-7R-02 1124
E9-6R-01 1124	E9-7R-02 1125
	E9-7R-02 1106

Bulbs to be used

- P21W (12V, 24V) Turn signal
- P21/5W (12V, 24V) Stop/tail
- R5W (12V, 24V) Front position, tail



*79 for Tail, front position



For rear and front flush mounting

Stop, tail, rear fog, reversing, turn signal, front turn signal

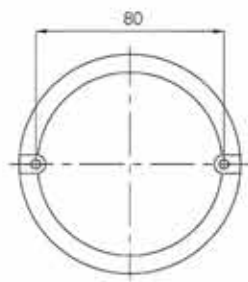
- 02MFU8181-001 Stop
- 02MFU8183-001 Tail
- 02MFU8184-001 Rear fog
- 02MFU8185-001 Reversing
- 03MFU8182-001 Turn signal
- 03MFU8188-001 Front turn signal

Ⓔ Approvals

- E4-7R-02 7582 E4-23R-00 23252
- E4-7R-02 7581 E4-6R-01 6530
- E4-38R-00 3914 E4-6R-01 6531

Bulbs to be used

- P21W (12V, 24V) Stop, rear fog, reversing, turn signal
- R5W (12V, 24V) Tail



For rear flush mounting

Stop/tail, rear fog, reversing, turn signal

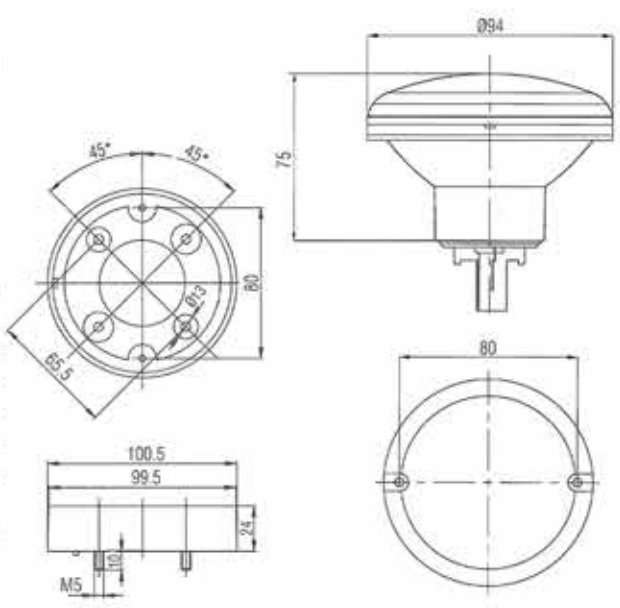
- 02MFU6525-001 Stop/tail
- 02MFU6522-001 Rear fog
- 02MFU6521-001 Reversing
- 03MFU6524-001 Turn signal
- 20YFU3850-001 Adapter

Ⓔ Approvals

- E9-7R-02 1093
- E9-38R-00 1093
- E9-23R-00 1093
- E9-6R-01 1093

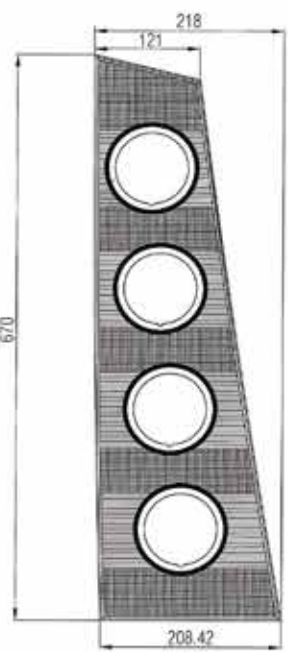
Bulbs to be used

- P21W (12V, 24V) Rear fog, reversing, turn signal
- P21/5W (12V, 24V) Stop/tail



Combined tail lamp housing

- 07MFL0383-001 Left
- 07MFR0382-001 Right



For rear surface or flush mounting



Tail, turn signal

Double PC Lens
Damage resistant

02MFU2002-001

Ⓔ Approvals

E9-6R-01 1133

E9-38R-00 1133

Spare Parts

02YFU2002-003 Lens

Bulbs to be used

P21W (12V, 24V) Turn signal

R10W (12V, 24V) Tail



Stop / tail, retro - reflector

02MFU2002-002

Ⓔ Approvals

E9-6R-01 1134

E9-38R-00 1134

Spare Parts

02YFU2002-004 Lens

Bulbs to be used

P21/5W (12V, 24V)



Reversing, turn signal

02MFU2002-004

Ⓔ Approvals

E9-6R-01 1120

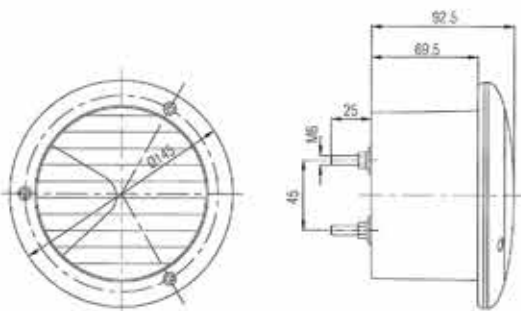
E9-38R-00 1120

Spare Parts

02YFU2002-006 Lens

Bulbs to be used

P21W (12V, 24V)



Rear fog, turn signal

02MFU2002-003

Ⓔ Approvals

E9-6R-01 1121

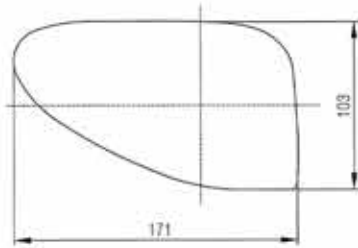
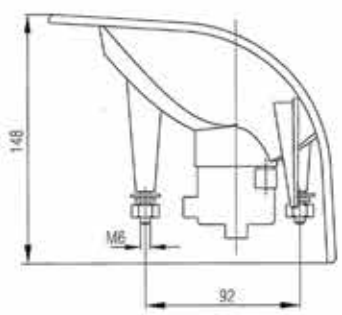
E9-38R-00 1121

Spare Parts

02YFU2002-005 Lens

Bulbs to be used

P21W (12V, 24V)



For rear flush mounting

Stop, tail, rear fog, reversing, turn signal
(Isuzu, Turkuaz)

- 02MFL0523-001 Left, Turn signal
- 02MFR0522-001 Right, Turn signal
- 02MFL0521-001 Left, Tail
- 02MFR0520-001 Right, Tail
- 02MFL0525-001 Left, Reversing
- 02MFR0524-001 Right, Reversing
- 02MFL0527-001 Left, Rear fog
- 02MFR0526-001 Right, Rear fog
- 02MFL0529-001 Left, Stop
- 02MFR0528-001 Right, Stop

(E) Approvals

- E4-6R-01 6538
- E4-7R-02 7594
- E4-7R-02 7595
- E4-23R-00 23253
- E4-38R-00 3915
- E19-7R-02 00014

Bulbs to be used

- P21W (12V, 24V) Stop, rear fog, reversing, turn signal
- R10W (12V, 24V) Tail

For rear flush mounting

Stop, tail, rear fog, reversing, turn signal

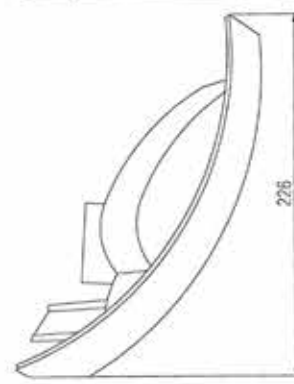
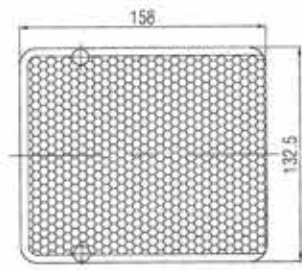
- 02MFU2966-007 Stop
- 02MFU2966-008 Tail
- 03MFU2966-009 Turn signal
- 02MFU2967-002 Rear fog
- 02MFU2967-001 Reversing

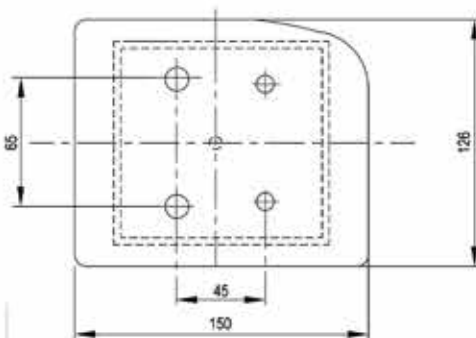
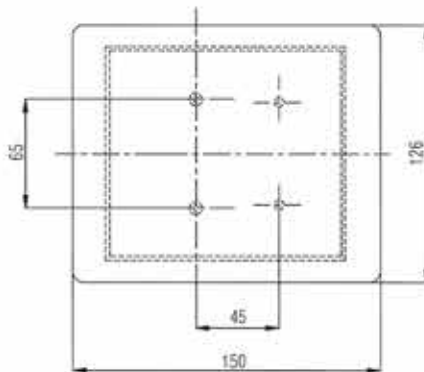
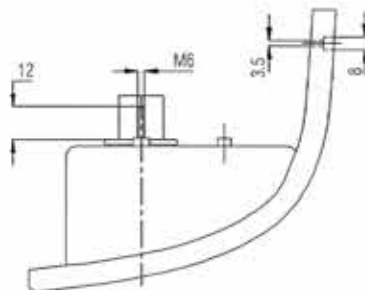
(E) Approvals

- E19-7R-02 00014
- E19-7R-02 00013
- E19-6R-01 00006
- E19-38R-00 00016
- E19-23R-00 00015

Bulbs to be used

- P21W (12V, 24V) Stop, rear fog, reversing, turn signal
- R10W (12V, 24V) Tail





For rear flush mounting

Stop, tail, reversing, turn signal

- 02MFU0164-001 Tail
- 02MFU0056-001 Reversing
- 03MFR0546-001 Turn signal
- 03MFL0545-001 Turn signal
- 02MFU0156-001 Stop
- 03MFL0546-002 Turn signal
- 03MFR0546-002 Turn signal

Ⓔ Approvals

- E19-7R-02 9503
- E19-23R-00 9511
- E19-6R-01 167
- E19-7R-02 9502
- E19-6R-01 00002

Bulbs to be used

- P21W (12V, 24V) Stop, turn signal, reversing
- R5W (12V, 24V) Tail

For rear flush mounting

Stop/tail, rear fog, reversing, Turn Signal

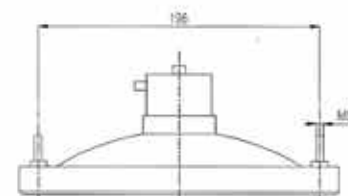
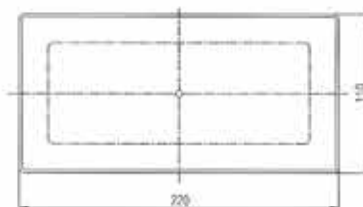
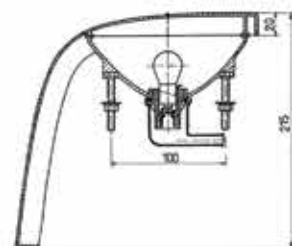
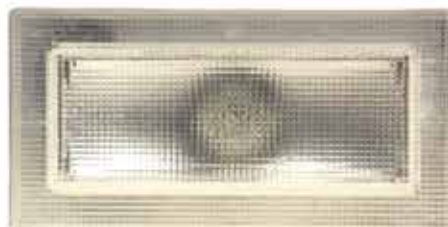
- 02MFK9003-001 Stop/tail
- 02MFB9001-001 Reversing
- 02MFK9002-001 Rear fog
- 03MFU8154-082 Turn Signal

Ⓔ Approvals

- E19-7R-02 9611
- E19-23R-00 9605
- E4-38R-00 3912
- E19-6R-01 9614

Bulbs to be used

- P21/5W (12V, 24V) Stop/tail
- P21W (12V, 24V) Rear fog, reversing
- Turn Signal





For horizontal flush mounting

Side turn signal

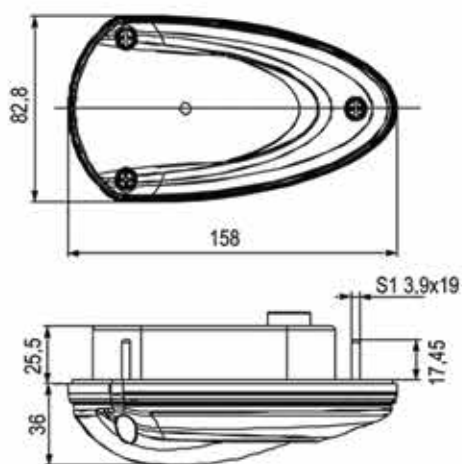
03MFU2006-001 Side turn signal - Cat.6

(E) Approvals
E9-6R-01 1410

Spare Parts
03YFU2006-001

Bulbs to be used
P21W (12V, 24V)

03MFL2006-002 Left
03MFR2006-002 Right



For horizontal surface mounting

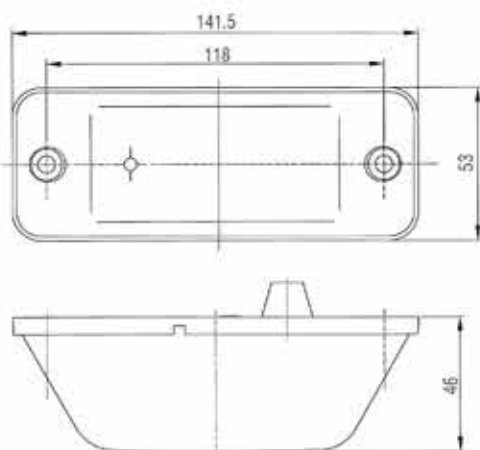
Side turn signal

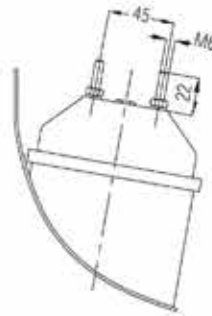
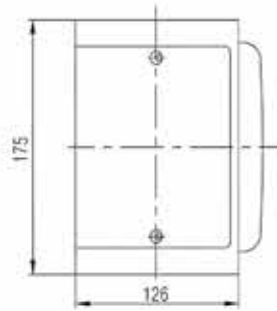
03MFL0264-613 Left (Cat.5)
03MFR0264-613 Right (Cat.5)
03MFR0264-620 Right (Cat.6)
03MFL0264-620 Left (Cat.6)

(E) Approvals
E19-6R-01 9906 (Cat.5)
E9-6R-01 1586 (Cat.6)

Spare Parts
03YFL0264-613 Left, Lens (Cat.5)
03YFR0264-613 Right, Lens (Cat.5)
03YFU0264-620 Lens (Cat.6)

Bulbs to be used
P21W (12V, 24V)





For front flush mounting

Front turn signal (Otokar minibus)

- 03MFL3602-001 Left, Amber
- 03MFR3602-001 Right, Amber
- 03MFL3602-002 Left, Clear
- 03MFR3602-002 Right, Clear

Ⓔ Approvals

- E19-6R-01 00005
- E9-6R-01 1156

Spare Parts

- 02YFL3602-008 Left, Lens Amber
- 02YFR3602-008 Right, Lens Amber
- 02YFL3602-200 Left, Lens Clear
- 02YFR3602-200 Right, Lens Clear

Bulbs to be used

- P21W (12V, 24V) Amber
- PY21W (12V, 24V) Clear

For flush mounting

Front Position, Turn Signal

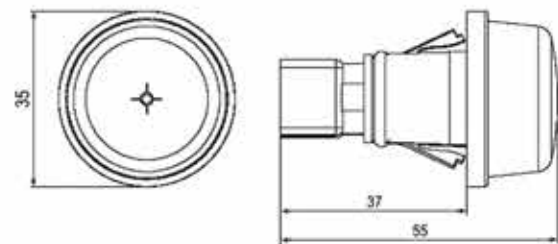


PART NO	DESCRIPTION			
	Front position	Side turn signal (Cat-5)	Lens-clear	Lens-amber
03MFU2007-001	●	●		
03MFU2007-003		●	●	

Ⓔ Approvals

- E9-6R-01 1523
- E9-7R-02 1523

Bulbs to be used
W5W(12V/24V)





For mounting at the inside of rear window

Turn signal, end-outline marker
(Mercedes - Benz O 403 bus)

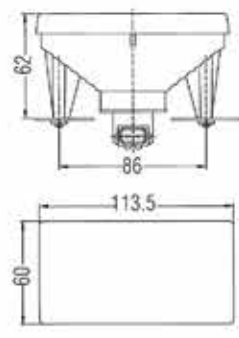
- 03MFU2156-613 Turn signal
- 03MFU2256-613 End - outline marker

Ⓔ Approvals

- E4-6R-01 6523
- E4-7R-02 7571

Bulbs to be used

- P21W (12V, 24V) Turn signal
- R10W (12V, 24V) End - outline marker



For flush mounting

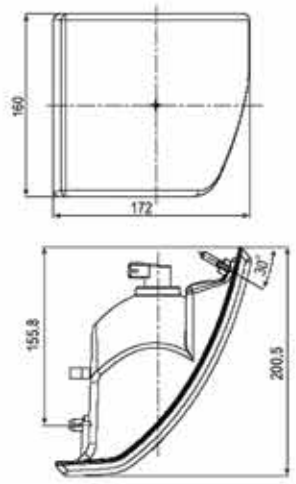
Front turn signal
(Mercedes-Benz Capacity)

- 03MFL2006-001 Left
- 03MFR2006-001 Right

Ⓔ Approvals

- E9-6R-01 1409

Bulb to be used
PY21W (12V, 24V)





For horizontal surface mounting

Stop, tail, turn signal and retro - reflector
 With rear center cables
 Rear center entry cables, 300 mm long

02MFL1970-003 Left
02MFR1970-003 Right

Ⓔ Approvals

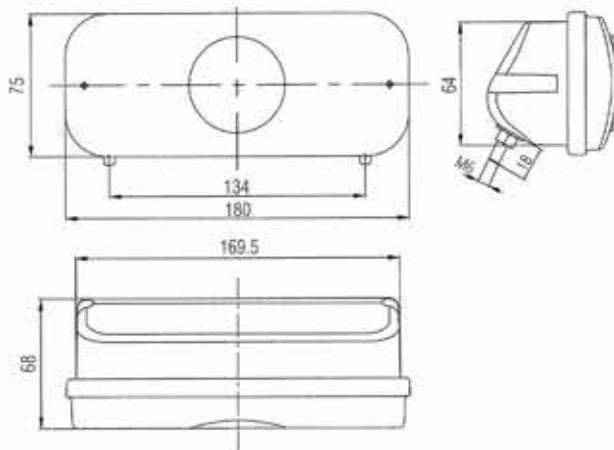
E9-3R-02 1150
 E9-6R-01 1150
 E9-7R-02 1150

Spare Parts

02YFL1970-004 Left, Lens
02YFR1970-004 Right, Lens

Bulbs to be used

P21W (12V, 24V) Turn signal
 P21/5W (12V, 24V) Stop/tail



For horizontal surface mounting

Stop, tail, turn signal and retro - reflector
 With rear center cables
 Rear center entry cables, 300 mm long

02MFL1970-004 Left
02MFR1970-004 Right

Ⓔ Approvals

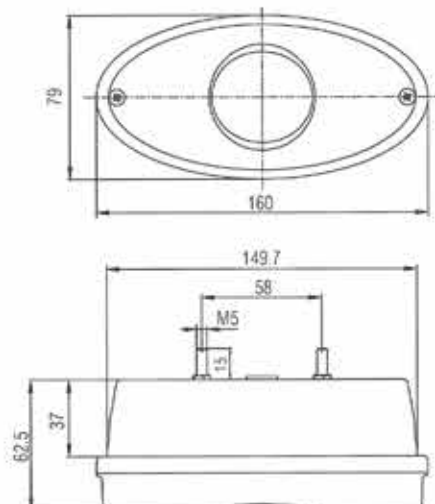
E9-3R-02 1151
 E9-6R-01 1151
 E9-7R-02 1151

Spare Parts

02YFL1970-003 Left, Lens
02YFR1970-003 Right, Lens

Bulbs to be used

P21W (12V, 24V) Turn signal
 P21/5W (12V, 24V) Stop/tail





For horizontal flush mounting

Side turn signal

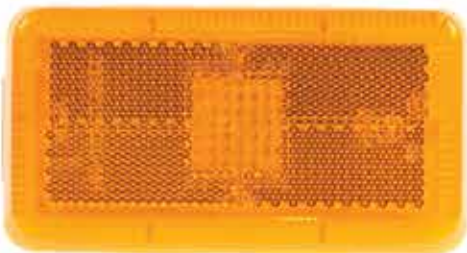
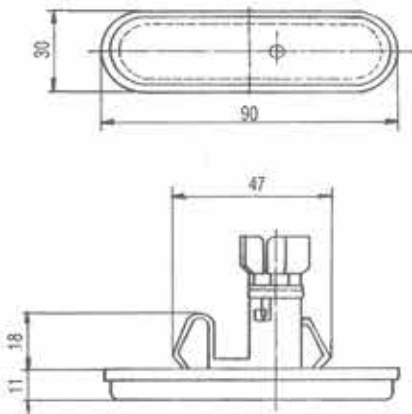
03MFU3584-001 Side turn signal (Cat. 5)

Approvals

E19-6R-01 9602

Bulbs to be used

W3W (12V, 24V)



For horizontal flush mounting

Side turn signal, side marker with retro - reflector

03MFU1001-001 Side marker with retro - reflector

03MFU1002-001 Side turn signal

Approvals

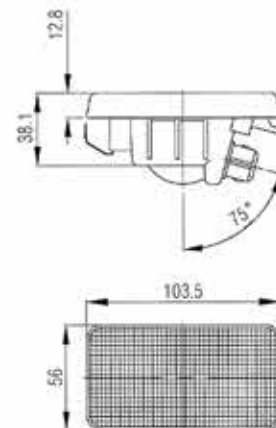
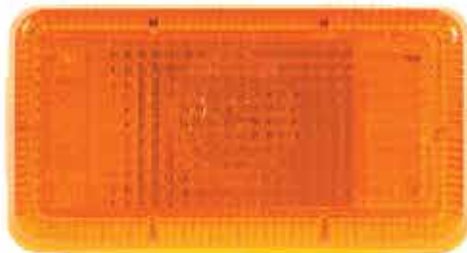
E19-3R-02 9966

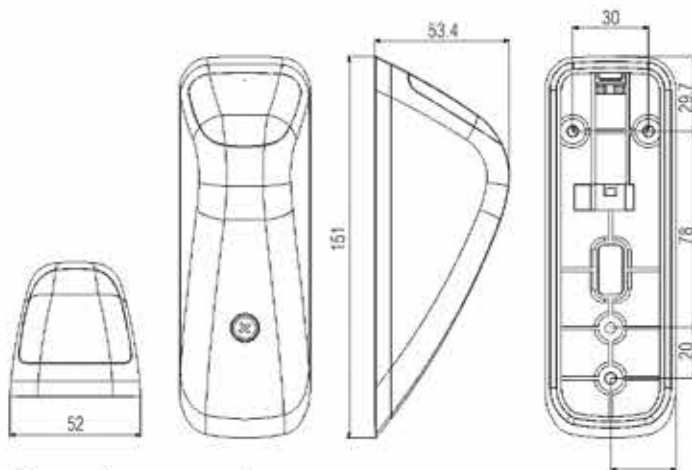
E19-91R-00 9966

E19-6R-01 9907

Bulbs to be used

W5W (12V, 24V)





For surface mounting

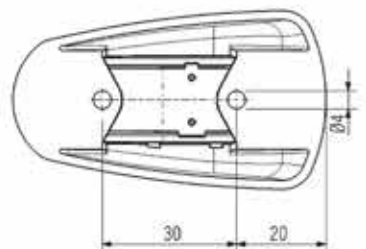
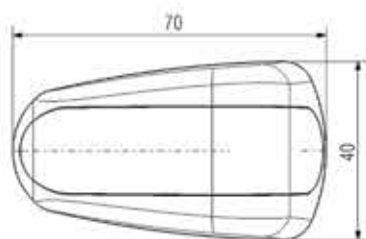
Rear/Front position, side turn signal (Cat.5)

Ⓔ Approvals

- E9-6R-01 1270
- E9-7R-02 1271
- E9-7R-02 1272
- E9-6R-01 1269

Bulbs to Be Used
R10W (12/24V)

DESCRIPTION	POSITION		SIDE TURN SIGNAL (CAT.5)	REAR POSITION	FRONT POSITION	LENS - GREEN	LENS - BLUE	LENS - AMBER	LENS - CLEAR	LENS - RED	BODY - AMBER
	LEFT	RIGHT									
PART NO											
03MFR5756-001		•	•			•					
03MFL5656-001	•		•			•					
03MFR5556-001		•	•				•				
03MFL5456-001	•		•				•				
03MFR6956-001		•	•					•			
03MFL6856-001	•		•					•			
03MFR5356-001		•		•						•	
03MFL5256-001	•			•						•	
03MFR5156-001		•			•				•		
03MFL5056-001	•				•				•		
03MFR7156-001		•	•					•			•
03MFL7056-001	•		•					•			•



For horizontal surface mounting (LED)

Ⓔ Approvals

- E9-7R-02 1338
- E9-7R-02 1337

DESCRIPTION	PART NO	LED-Amber	LED-Clear	LED-Red
Side Turn Signal Lamp*	03MFU2003-003	•		
Rear Position Lamp	03MFU2003-002			•
Front Position Lamp	03MFU2003-001		•	

* Ⓔ Approval is not available.



For horizontal surface mounting

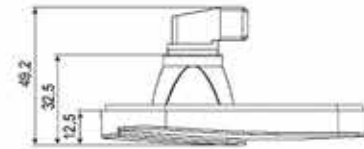
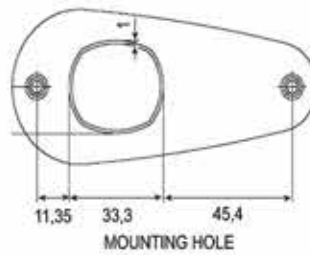
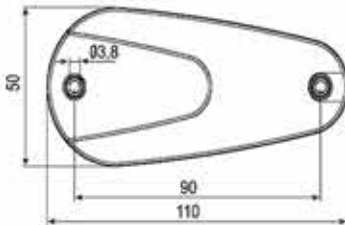
Side marker with retro reflector

- 03MFU2005-002 (12V)
- 03MFU2005-003 (24V)

Ⓔ Approvals

- E9-91R-00 1480
- E9-03R-02 1480

Bulbs to be used
W3W (12V, 24V)



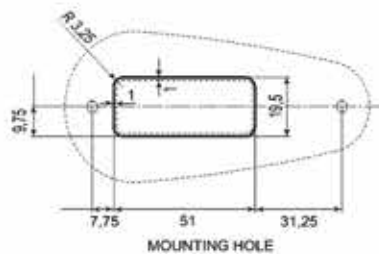
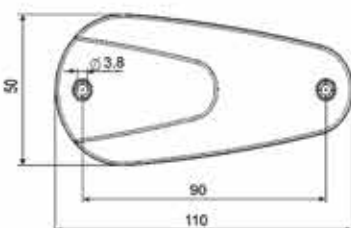
For horizontal surface mounting *LED

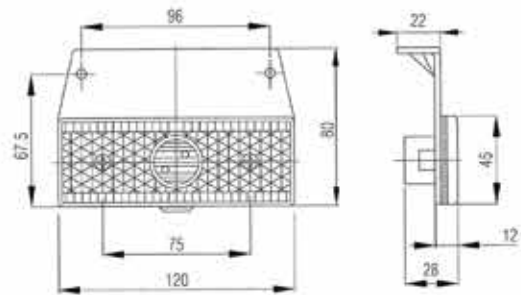
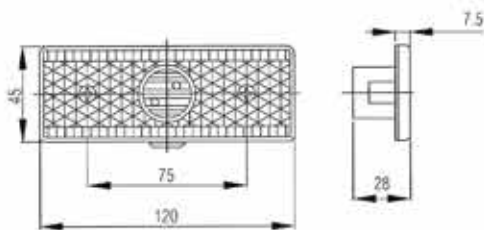
Side marker with retro reflector
(300 mm lead with stripped ends)

03MFU2005-001

Ⓔ Approvals

- E9-3R-02 1443
- E9-91R-00 1443





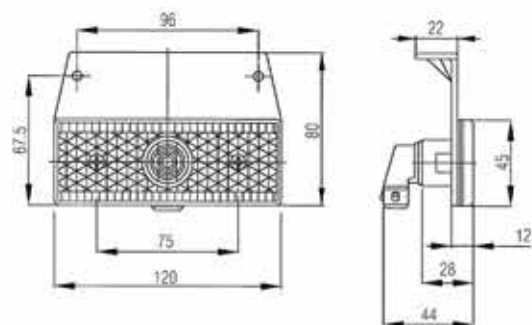
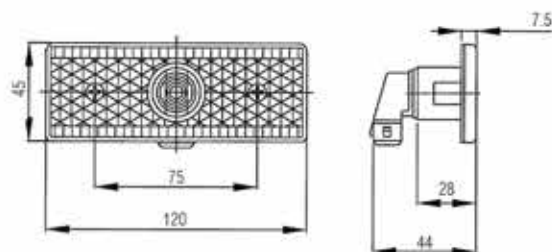
For horizontal surface mounting *LED

Side marker with retro reflector
(300 mm lead with stripped ends)

03MFU9610-011
03MFU9610-019 (with plastic bracket)

Ⓔ Approvals

E9-3R-00 1127
E9-91R-00 1127



For horizontal surface mounting

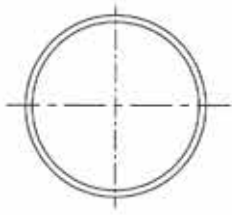
Side marker with retro reflector

03MFU9610-001
03MFU9610-017 Holder rotated by 90°
With plastic bracket
03MFU9610-002
03MFU9610-012 Holder rotated by 90°

Ⓔ Approvals

E4-3R-02 9545
E4-91R-00 9545

Bulbs to be used
W3W (12V, 24V)



Retro - reflector

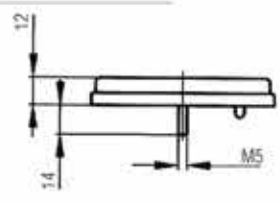
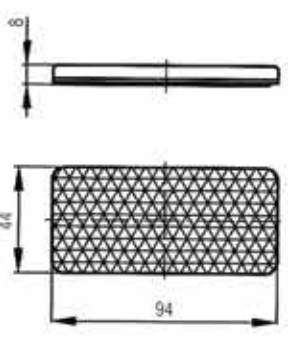
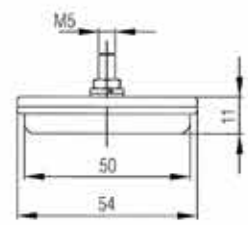
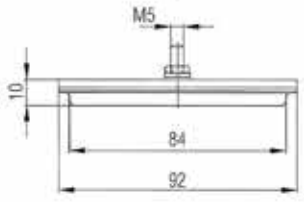
Retro - reflector

07MFU4295-083

07MFU1072-091

Ⓔ Approvals
E9-3R-02 1098

Ⓔ Approvals
E9-3R-02 1099



Retro - reflector

Retro - reflector

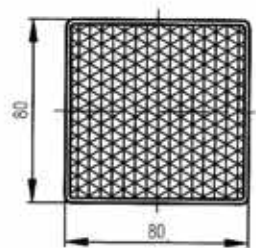
(with adhesive band)

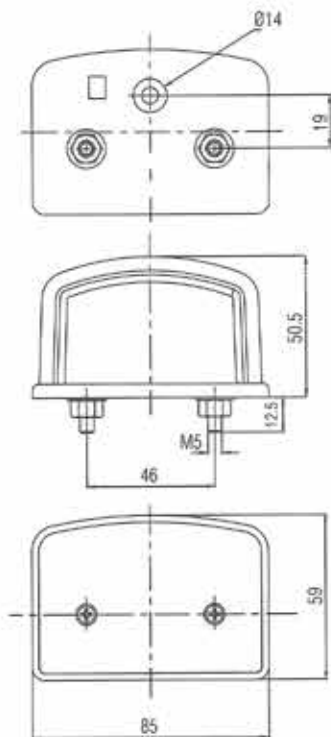
07MFU7570-001

07MPS0040-003 Amber
09MFR7700-361 Red

Ⓔ Approvals
E19-3R-02 9965

Ⓔ Approvals
E19-3R-02 9826
E19-3R-02 9602





For surface mounting

For mounting to left and right of
 520x120 mm number plates
 240x130 mm (1 lamp) number plates

04MFU1971-001

(E) Approvals
 E9-4R-00 1095

Spare Parts
 20PFU1971-005 Body with lens

Bulbs to be used
 R10W (12V, 24V)

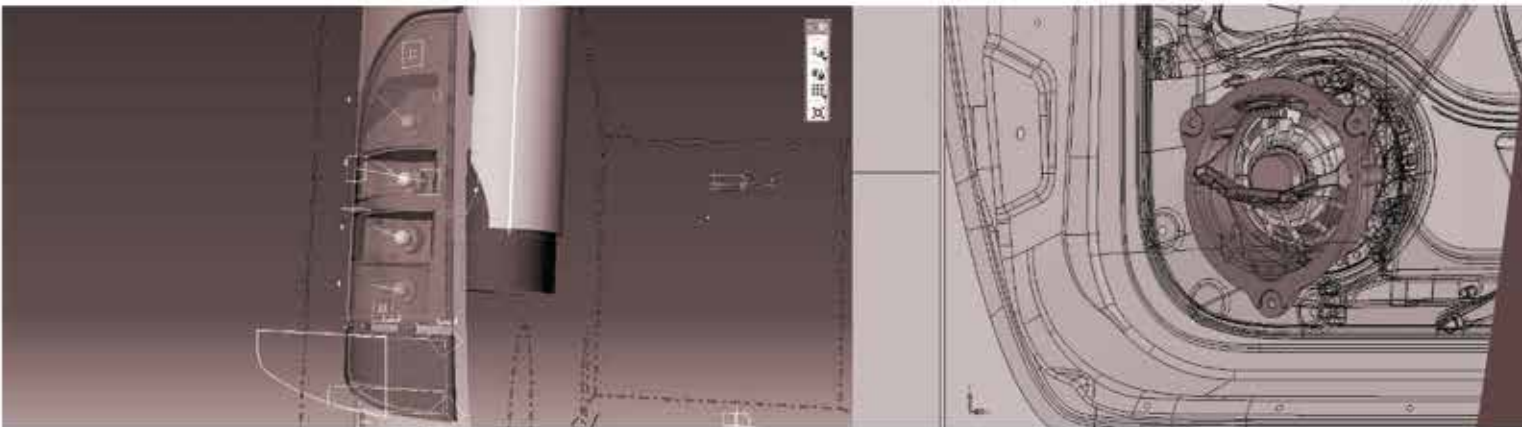
Lined writing area with horizontal lines.

COPYRIGHTS

The products presented in this catalogue represent our current range; and we expressly reserve the right to make technical alterations and amend specifications without prior notice of this catalogue. FARPLAS A.Ş. assumes no responsibility for printing errors.

FARPLAS A.Ş. reserves all rights related to design of the products together with the catalogue; reprinting, reproduction and distribution of the contents of this catalogue are not permitted unless FARPLAS A.Ş. has given its written approval.

Basım Tarihi: Ağustos 2015





FARPLAS

Taysad Organize Sanayi Bölgesi
3.Cadde,31.Sokak,No:1
41420 Şekerpınar / Çayırova – Kocaeli TURKEY
T : +90 262 679 65 00
F : +90 262 679 65 54
www.farplas.com.tr

