

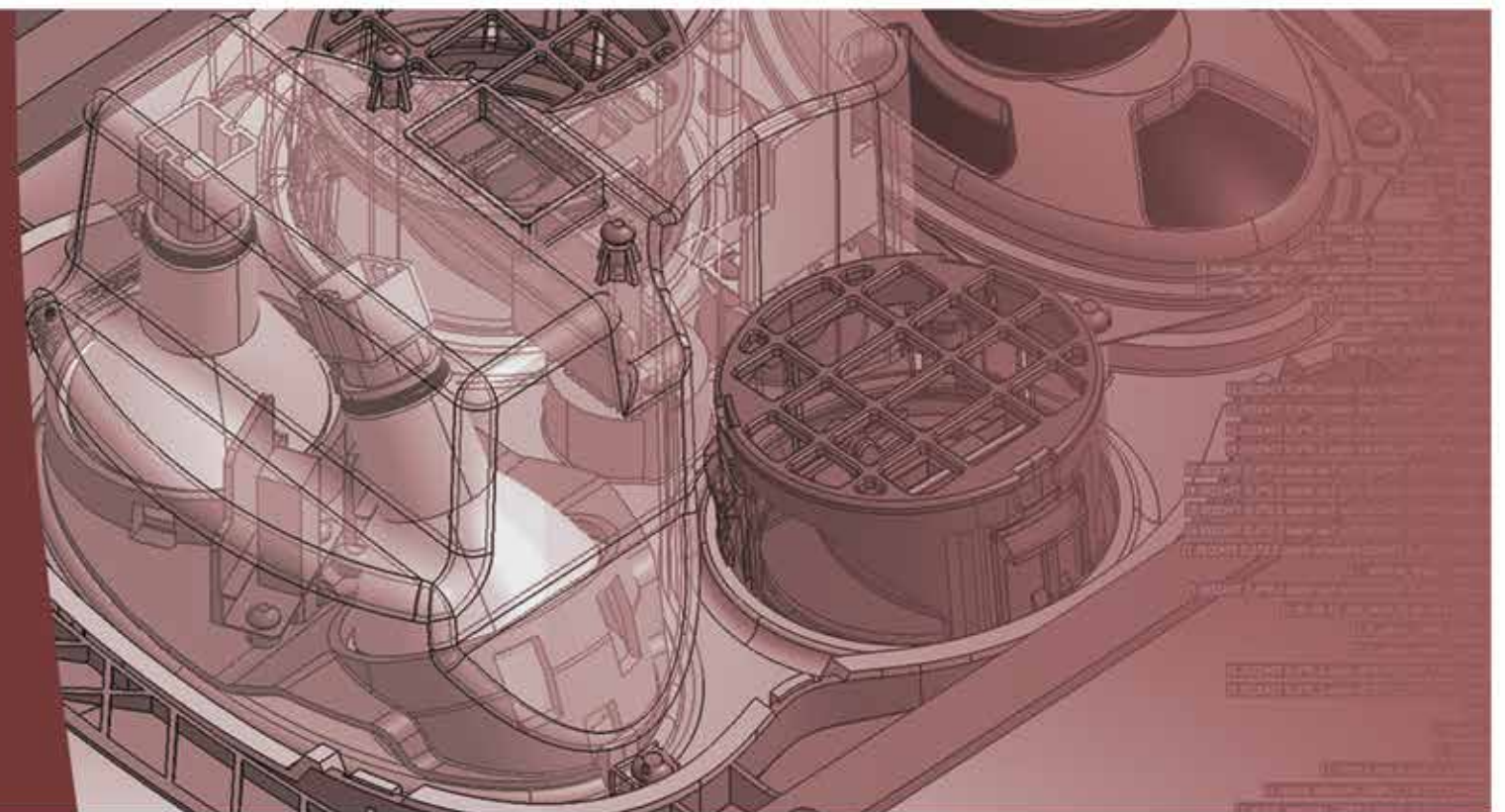


WHERE
TECHNOLOGY
MEETS
AESTHETICS

FARPLAS

SERVICE SETS
& ACCESSORIES







SERVICE SETS & ACCESSORIES

Dear Customer,

The "Service Set" is an essential element to make the travel experience more comfortable for the passengers.

Whatever a remote control is to a TV, a service set is just that to a bus. In the age of technology, a few of us can survive without the remote control of our television set. The remote control can change the channels; adjust color, volume and contrast, all with the tip of our finger. When sitting in a bus, the service set acts as the remote control of the passenger. Depending on the type, the service set can have a single function, like the air ventilation or many different functions combined. In an advanced service set you can adjust the air diffusion, light distribution for reading/sleeping, alert the driver for any expected stops and even call the hostess for ordering drinks.

Farplas is a well-known designer and producer of service sets. The service sets are designed taking into account passengers' preferences and new technological advancements to make traveling more comfortable. It is also important for the service set to perfectly fit the luggage rack system. This is where the synergies between Farplas and Farhym really become apparent.

Farplas.

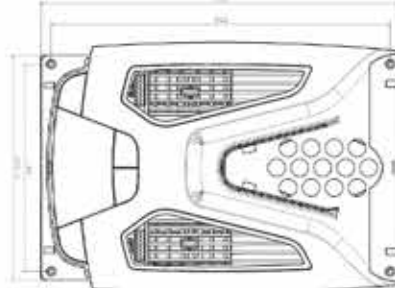
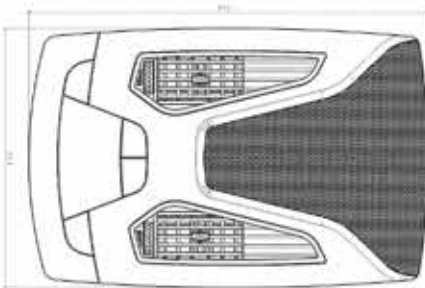




INDEX

Service Sets	01
Modular Lamps / Air Diffusers	17
Modular Lamps	19
Interior Lamps	21
Fans	25

KINETIC SERIES SERVICE SET



- Adjustable reading light direction just left&right direction is (fixed, during Farplas assembly)
- Options Continuous Night Lighting (BLUE LEDs)
- LED Reading Light
- Micro Switch Button
- Functional Air Nozzle (On/Off, Direction Control, adjustable air flow)
- Spacer Parts for Continuous Assembly
- 24V or 12V options
- "STOP" or service call button
- Speaker On/Off control
- Color: Different options applicable

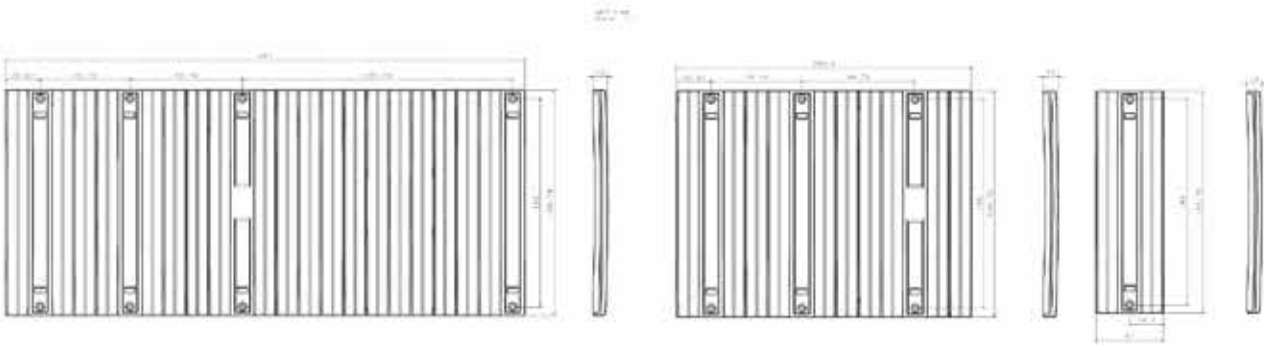


PART NO	DESCRIPTION	With Service Call	Without Service Call	With Speaker	Without Speaker	With Night Light	Without Night Light	Left Side Set	Right Side Set	24V
		Button	Button							
502394		X		X		X		X		X
502430		X		X		X			X	X
502431		X			X		X	X		X
502435		X			X		X		X	X
502453		X		X			X	X		X
502457		X		X			X		X	X
502462			X	X			X	X		X
502466			X	X			X		X	X
502470			X		X		X	X		X
502474			X		X		X		X	X

SPACER PARTS



SERVICE SETS



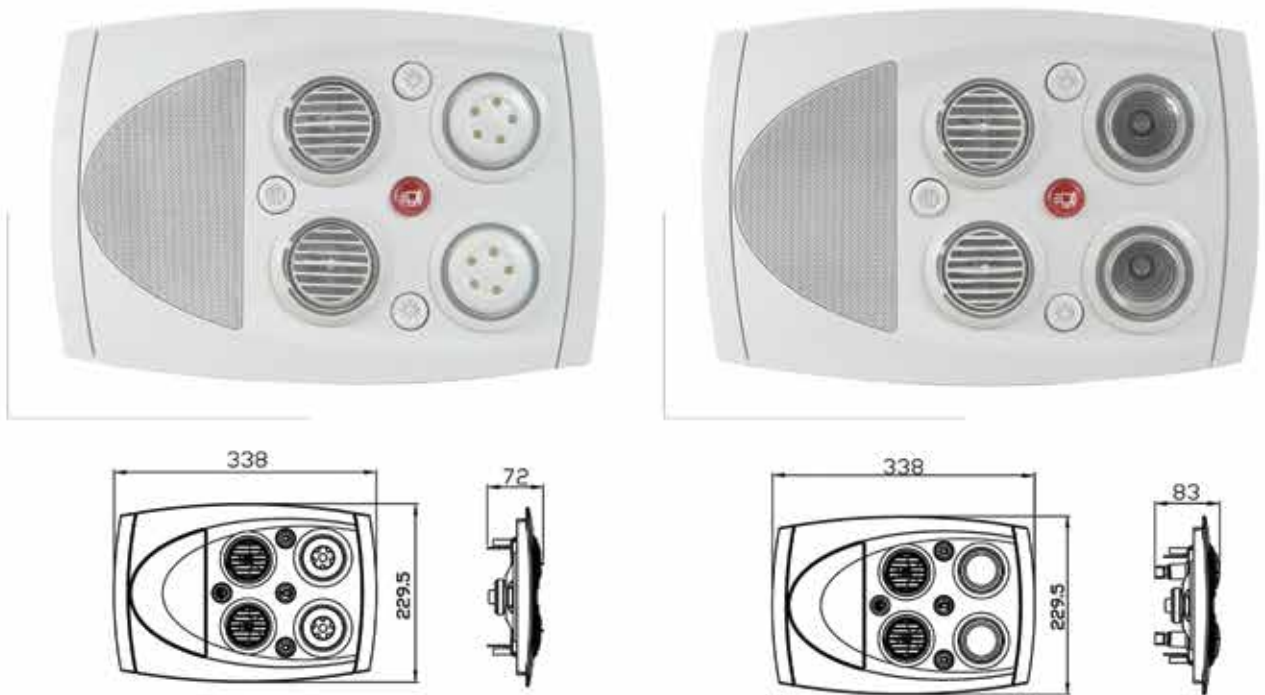
The Modular - Complete Service Sets are supported by matching Spacer Parts, ready for installation at variable lengths, allowing easy adaptation to suit seat-row allocation. Please order by length and your choice of color for the service set



PART NO	LENGTHS	DESCRIPTON	Screw Cover / PCS	
			Screw Cover / PCS	Ral 7035
302156	L:61mm		1	X
302625	L:259,5mm		3	X
302155	L:461mm		4	X
606207	Screw Cowver		X	X



ALONE SERIES SERVICE SET



Service sets are built in two different choices of illumination as bulb & LED. Illumination lights can be moved at variable angles by passenger. The passenger can also adjust air flow output and direction through the air diffusers that can be moved. Service sets are installed onto the air duct by screws.



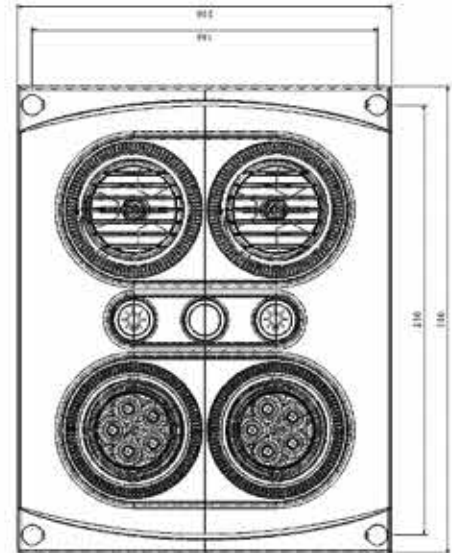
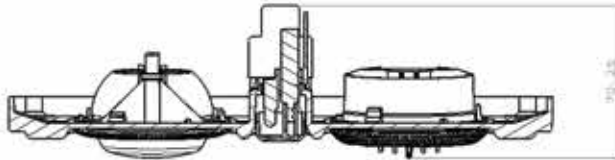
PART NO	DESCRIPTION										
	Bulb	LED	With speaker, 10W	Without speaker	12V	24V	Ral 7035	Ral 7040	Ral 7042	Ral 7043	Ral 7040 / 43
06MFU0610-001	•		•			•	•				
06MFU0610-002	•		•			•		•			
06MFU0610-003	•		•			•			•		
06MFU0610-004	•		•			•				•	
06MFU0610-005	•		•			•	•				
06MFU0610-006	•		•			•					
06MFU0610-007	•		•			•			•		
06MFU0610-008	•		•			•				•	
06MFU0610-009	•		•			•					•
06MFU0610-010	•		•			•					•
06MFU0610-011	•		•			•	•				
06MFU0610-012	•		•			•		•			
06MFU0610-013	•		•			•			•		
06MFU0610-014	•		•			•				•	
06MFU0610-015	•		•			•	•				
06MFU0610-016	•		•			•		•			
06MFU0610-017	•		•			•			•		
06MFU0610-018	•		•			•				•	
06MFU0610-019	•		•			•					•
06MFU0610-020	•		•			•					•
06MFU0710-001	•	•	•			•	•				
06MFU0710-002	•	•	•			•		•			
06MFU0710-003	•	•	•			•			•		
06MFU0710-004	•	•	•			•				•	
06MFU0710-005	•	•	•			•	•				
06MFU0710-006	•	•	•			•		•			
06MFU0710-007	•	•	•			•			•		
06MFU0710-008	•	•	•			•				•	
06MFU0710-009	•	•	•			•					•
06MFU0710-010	•	•	•			•					•
06MFU0710-011	•	•	•			•	•				
06MFU0710-012	•	•	•			•		•			
06MFU0710-013	•	•	•			•			•		
06MFU0710-014	•	•	•			•				•	
06MFU0710-015	•	•	•			•	•				
06MFU0710-016	•	•	•			•		•			
06MFU0710-017	•	•	•			•			•		
06MFU0710-018	•	•	•			•				•	
06MFU0710-019	•	•	•			•					•
06MFU0710-020	•	•	•			•					•

SPACER PARTS



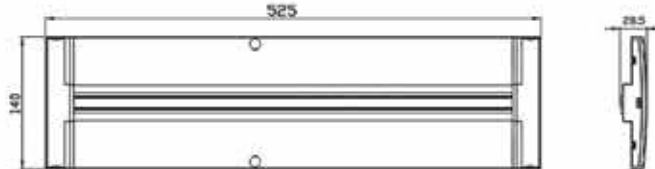
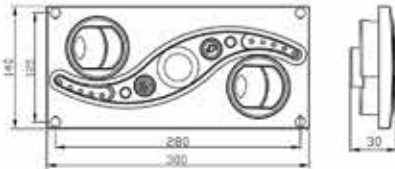
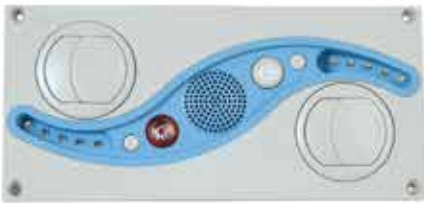
SERVIC

CLON SERIES SERVICE SET



- Adjustable reading light direction just left&right direction is
- Options Continuous Night Lighting (BLUE LEDs)
- LED or Bulb Reading Light
- Switch Button
- Functional Air Nozzle (On/Off, Direction Control, adjustable air flow)
- Spacer Parts for Continuous Assembly (Spacer pets options CLED / ALONE)
- 24V or 12V options
- "STOP" or service call button
- Color: Different options applicable

PART NO	DESCRIPTION			
		With Service Call Button	Without Night Light	24V
RAL7035				
502605		X	X	X



Service set

- Air diffusers, adjustable air flow output and direction
- Reading light with LED
- 8 ohm, 10Watt Speaker
- Spacer part with blue ambient light
- Color RAL 7044

Spacer Parts

Spacer parts, are ready for installation at different lengths, enable easy adaptation of the service sets to match seat-row allocation.

With speaker and service call button

- 06MFL2405-001 Left
- 06MFR2405-001 Right



PART NO	DESCRIPTION															
	L: 175 mm	L: 200 mm	L: 225 mm	L: 250 mm	L: 275 mm	L: 300 mm	L: 325 mm	L: 350 mm	L: 375 mm	L: 400 mm	L: 425 mm	L: 450 mm	L: 475 mm	L: 500 mm	L: 525 mm	
06MFU0175-001	●															
06MFU0200-001		●														
06MFU0225-001			●													
06MFU0250-001				●												
06MFU0275-001					●											
06MFU0300-001						●										
06MFU0325-001							●									
06MFU0350-001								●								
06MFU0375-001									●							
06MFU0400-001										●						
06MFU0425-001											●					
06MFU0450-001												●				
06MFU0475-001													●			
06MFU0500-001														●		
06MFU0525-001															●	

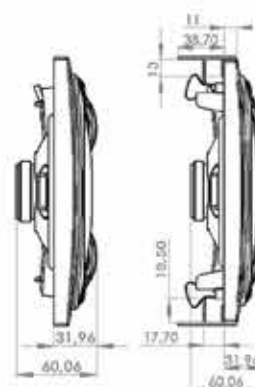
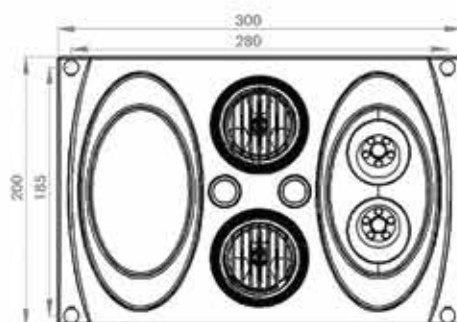
CLED SERVICE SET SERIES



(Reflector Angle: 10°)

RAL 7035	RAL 7040/40	RAL 7042	RAL 7040/43	RAL 7043			
06MFU0411-017	06MFU0411-013	06MFU0411-009	06MFU0411-005	06MFU0411-001	●	●	●
06MFU0411-018	06MFU0411-014	06MFU0411-010	06MFU0411-006	06MFU0411-002	●	●	●
06MFU0411-019	06MFU0411-015	06MFU0411-011	06MFU0411-007	06MFU0411-003	●	●	●
06MFU0411-020	06MFU0411-016	06MFU0411-012	06MFU0411-008	06MFU0411-004	●	●	●
06MFU0412-017	06MFU0412-013	06MFU0412-009	06MFU0412-005	06MFU0412-001	●	●	●
06MFU0412-018	06MFU0412-014	06MFU0412-010	06MFU0412-006	06MFU0412-002	●	●	●
06MFU0412-019	06MFU0412-015	06MFU0412-011	06MFU0412-007	06MFU0412-003	●	●	●
06MFU0412-020	06MFU0412-016	06MFU0412-012	06MFU0412-008	06MFU0412-004	●	●	●

Installation by Screw	●	●	●	●	●	●	●
Installation by Clips	●	●	●	●	●	●	●
Service Call Button	●	●	●	●	●	●	●
Without Service Call Button	●	●	●	●	●	●	●
Speaker	●	●	●	●	●	●	●
Without Speaker	●	●	●	●	●	●	●



CLAM SERVICE SET SERIES

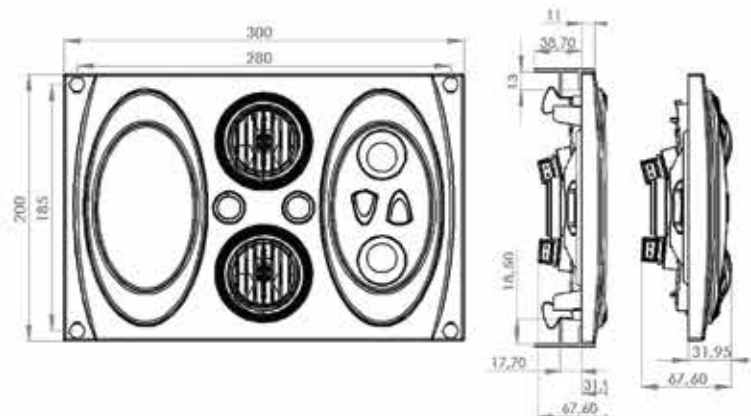


SERVICE SETS

(Reflector Angle: 10°)

RAL 7035	RAL 7040/40	RAL 7042	RAL 7040/43	RAL 7043							
06MFU0409-017	06MFU0409-013	06MFU0409-009	06MFU0409-005	06MFU0409-001	●	●	●	●			
06MFU0409-018	06MFU0409-014	06MFU0409-010	06MFU0409-006	06MFU0409-002	●	●	●	●			
06MFU0409-019	06MFU0409-015	06MFU0409-011	06MFU0409-007	06MFU0409-003	●	●	●	●	●		
06MFU0409-020	06MFU0409-016	06MFU0409-012	06MFU0409-008	06MFU0409-004	●	●	●	●	●		
06MFU0410-017	06MFU0410-013	06MFU0410-009	06MFU0410-005	06MFU0410-001	●	●	●	●			
06MFU0410-018	06MFU0410-014	06MFU0410-010	06MFU0410-006	06MFU0410-002	●	●	●	●			
06MFU0410-019	06MFU0410-015	06MFU0410-011	06MFU0410-007	06MFU0410-003	●	●	●	●	●		
06MFU0410-020	06MFU0410-016	06MFU0410-012	06MFU0410-008	06MFU0410-004	●	●	●	●	●		
					Installation by Clips	Installation by Screw	Service Call Button	Without Service Call Button	Speaker	Without Speaker	Spare Parts

The CLAM and CLED series provide an extensive range of interior lighting systems for your luxurybuses, intercitybuses, midibuses, minibuses, vans and utility vehicles, bringing in complete solutions for your individual requirements at economical costs.



CLAM AND CLED SERIES SPACER PARTS

CLAM and CLED series are supported by matching Spacer Parts, ready for installation at variable lengths, allowing easy adaptation to suit seat-row allocation.



Spacer parts for CLAM and CLED series

PART NO	DESCRIPTION									No. of plugs	Part no. of plug		
		L: 540 mm	L: 440 mm	L: 380 mm	L: 263 mm	L: 260 mm	L: 163 mm	L: 143 mm	L: 83 mm				
06MFUC540-001		•								•	6	06YFU1020-023	
06MFUC440-001			•							•	6		
06MFUC380-001				•						•	4		
06MFUC263-001					•					•	4		
06MFUC260-002						•				•	4		
06MFUC163-001							•			•	4		
06MFUC143-001								•		•	4		
06MFUC083-001									•	•	2		
06MFUC540-002		•								•	6		06YFU1020-015
06MFUC440-002			•							•	6		
06MFUC380-002				•						•	4		
06MFUC263-002					•					•	4		
06MFUC260-003						•				•	4		
06MFUC163-002							•			•	4		
06MFUC143-002								•		•	4		
06MFUC083-002									•	•	2		
06MFUC540-003		•								•	6	06YFU1020-024	
06MFUC440-003			•							•	6		
06MFUC380-003				•						•	4		
06MFUC263-003					•					•	4		
06MFUC260-004						•				•	4		
06MFUC163-003							•			•	4		
06MFUC143-003								•		•	4		
06MFUC083-003									•	•	2		
06MFUC540-004		•								•	6		06YFU1020-025
06MFUC440-004			•							•	6		
06MFUC380-004				•						•	4		
06MFUC263-004					•					•	4		
06MFUC260-005						•				•	4		
06MFUC163-004							•			•	4		
06MFUC143-004								•		•	4		
06MFUC083-004									•	•	2		

* Please order by length and your choice of color for the service set.
The Spacers parts are available for clips and screw installation

Decorative frames

CLAD and CLEM series incorporate changeable frames having different colors and finishes such as aluminium and wooden. You can create your own model using these frames.



RAL 7035
06YFU0413-026



RAL 7040
06YFU0413-027



RAL 7042
06YFU0413-028



RAL 7043
06YFU0413-029



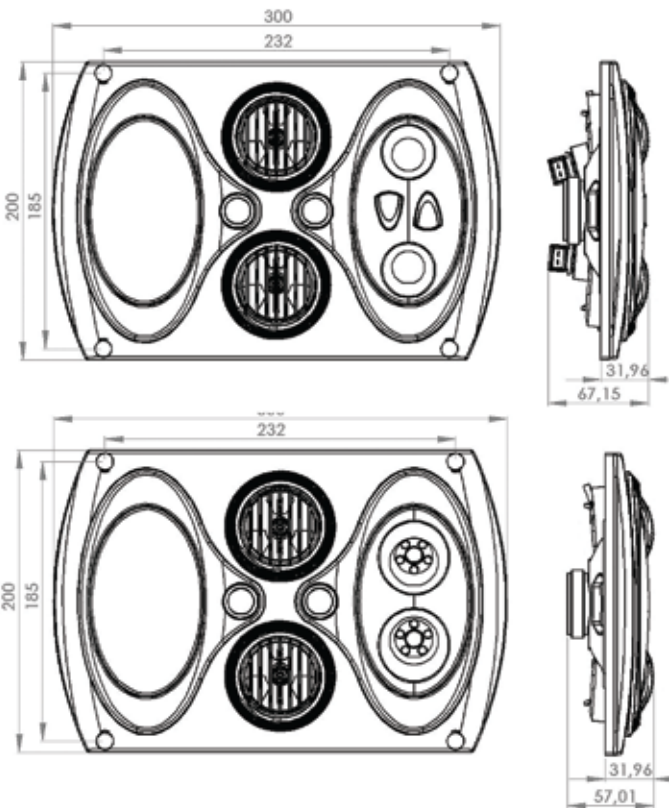
METALLIC
06YFU0413-031



CUBIC WOODEN
06YFU0413-030

FEZ SERIES WITH LED

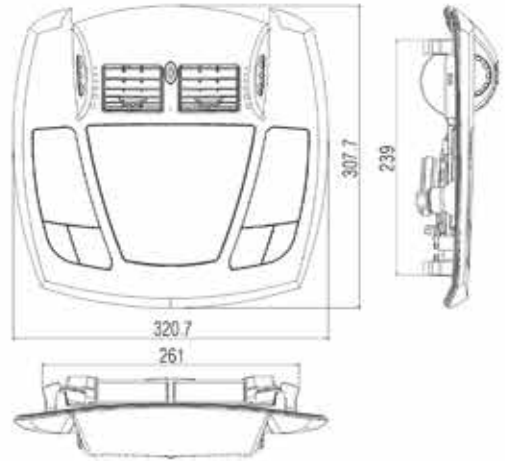
FEZ SERIES WITH BULB



FEZ series are built in with 2 different choices of illumination, BULB & LED and can be manufactured at 5°, 10°, 15° or 20° degrees angle variations upon customer's request and seat allocation requirement. No Spacer Parts are available for this series. CLAM and CLED series feature both CLIPS and SCREW installation while FEZ series feature only SCREW installation.

FEZ Series

RAL 7040/40	RAL 7042	RAL 7040/43	RAL 9005	RAL 7043					
06MFU0407-017	06MFU0407-013	06MFU0407-009	06MFU0407-005	06MFU0407-001	●	●	●		
06MFU0407-018	06MFU0407-014	06MFU0407-010	06MFU0407-006	06MFU0407-002	●		●	●	
06MFU0407-019	06MFU0407-015	06MFU0407-011	06MFU0407-007	06MFU0407-003	●	●			●
06MFU0407-020	06MFU0407-016	06MFU0407-012	06MFU0407-008	06MFU0407-004	●		●		●
06MFU0408-017	06MFU0408-013	06MFU0408-009	06MFU0408-005	06MFU0408-001		●	●	●	
06MFU0408-018	06MFU0408-014	06MFU0408-010	06MFU0408-006	06MFU0408-002		●		●	
06MFU0408-019	06MFU0408-015	06MFU0408-011	06MFU0408-007	06MFU0408-003		●	●		●
06MFU0408-020	06MFU0408-016	06MFU0408-012	06MFU0408-008	06MFU0408-004		●		●	●
					LED				
					Bulb				
					Service Call Button				
					Without Service Call Button				
					Speaker				
					Without Speaker				



Service Set

- Air diffusers with adjustment of air flow output and direction ventilation
- 8 Ohm speaker
- Assembly by clips to air channel
- Service unit control by touch button
- Reading lamp with 3W light bulb
- Color RAL 7046
- All components are made with plastic materials have been approved in compliance with directive 95-28 EC

With speaker and with service call button

06MFL3485-632 Left

06MFR3585-632 Right



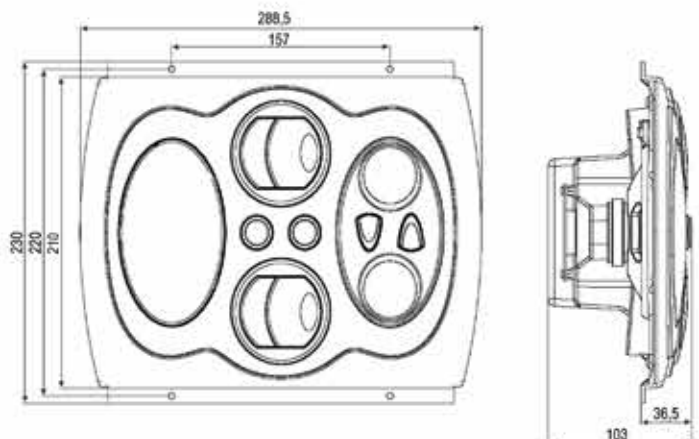
Service Set

- Air diffusers with adjustment of air flow output and direction ventilation
- 8 Ohm 5W speaker
- Assembly by screw to air channel
- Service unit control by touch button
- Reading lamp with 5W light bulb
- Color RAL 7046
- All components are made with plastic materials have been approved in compliance with directive 95-28 EC

With speaker and with service call button

06MFL4385-632 Left

06MFR4485-632 Right

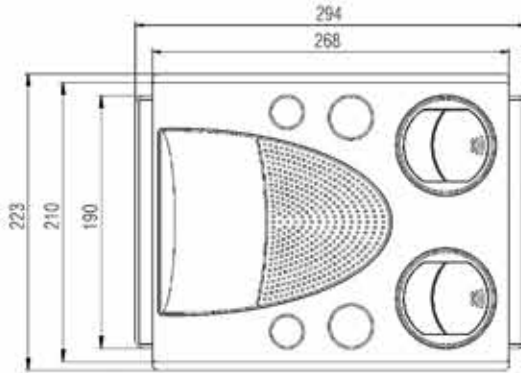




Service Set

- Air diffusers with adjustment of direction ventilation
- 5 W speaker
- Reading lamp with push-button and 3 Watts light bulb
- All components are made with plastic materials have been approved in compliance with directive 95-28 EC

With service call button
06MFU1459-613

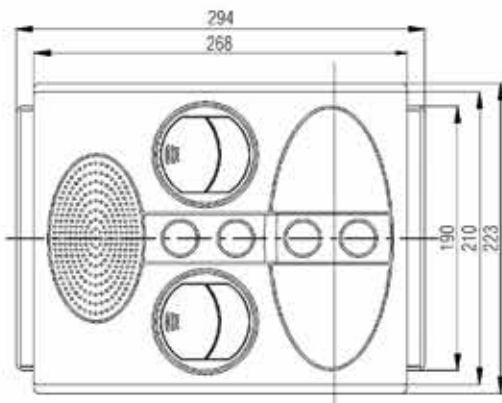


Service Set

For channel sliding assembly

- Air diffusers with adjustment of air flow output and direction ventilation
- 5W speaker
- Reading lamp with push-button and 3 Watts light bulb
- All components are made with plastic materials have been approved in compliance with directive 95-28 EC

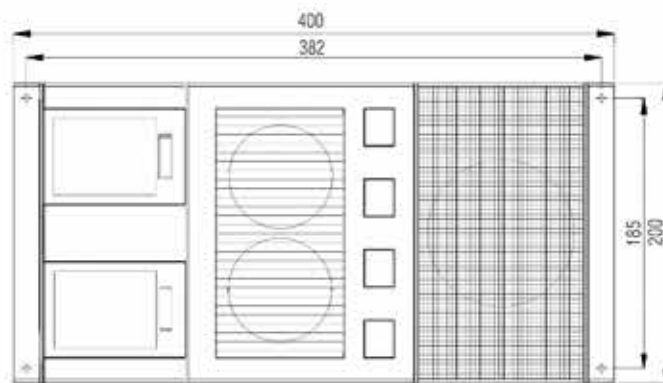
With speaker and with service call button
06MFL0760-613 Left
06MFR0760-613 Right





Service Set

- Air diffusers with adjustment of airflow output and direction ventilation
- 5 W speaker covered by a decorative metal grille
- Reading lamp with push-button and 10 Watts light bulb
- Four 4.5 mm dia. holes for fixing screws
- Spacer-parts in variable lengths which have the same radius with the set are supplied to fill the gaps between the sets, depending on seat installation.
- All components are made with plastic materials have been approved in compliance with directive 95-28 EC



With speaker and with service call button

- 06MFL2001-003 Left
- 06MFR2001-003 Right

Without speaker and with service call button

- 06MFL2001-004 Left
- 06MFR2001-004 Right

With speaker and "STOP" button

- 06MFL2001-008 Left
- 06MFR2001-008 Right

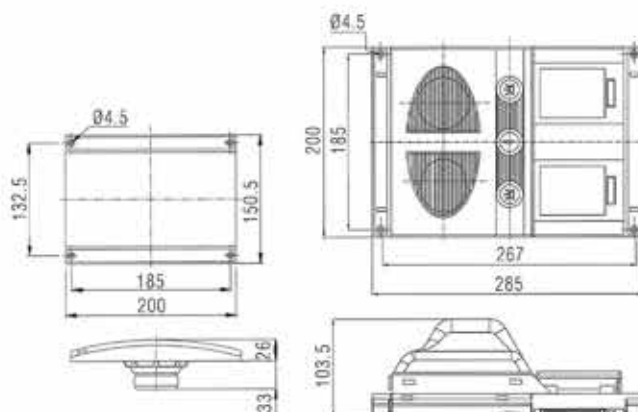
Without speaker and with "STOP" button

- 06MFL2001-009 Left
- 06MFR2001-009 Right



Modular Service Set

- Air diffusers with adjustment of air flow output and direction ventilation
- 4 Ohm , 20W speaker
- Reading lamp with push-button and 5 Watts light bulb
- All components are made with plastic materials have been approved in compliance with directive 95-28 EC



With service call button

- 06MFL2002-001 Left
- 06MFR2002-001 Right

Without service call button

- 06MFL2002-002 Left
- 06MFR2002-002 Right

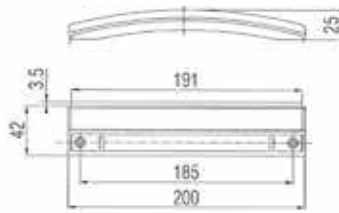
- Speaker
- 06MFU2002-001

Spacer Parts

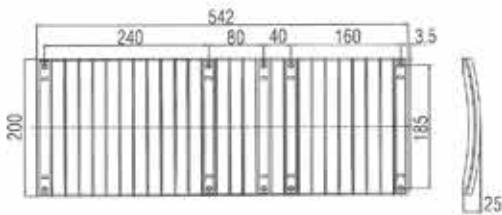
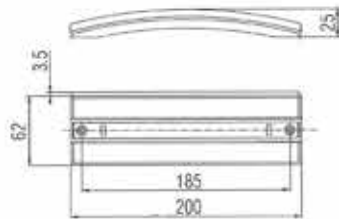
The plastic material has been approved in compliance with directive 95-28EC



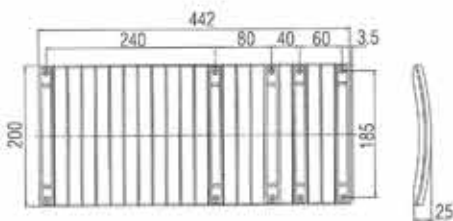
06MFU0042-001
Please order 1 pcs of 06YFU2001-002 for each spacer-part



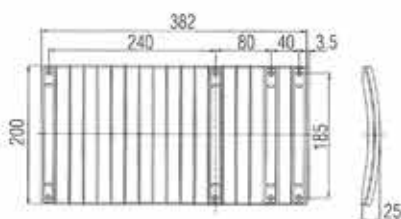
06MFU0062-001
Please order 1 pcs of 06YFU2001-002 for each spacer-part



06MFU0542-001
Please order 5 pcs of 06YFU2001-002 for each spacer-part

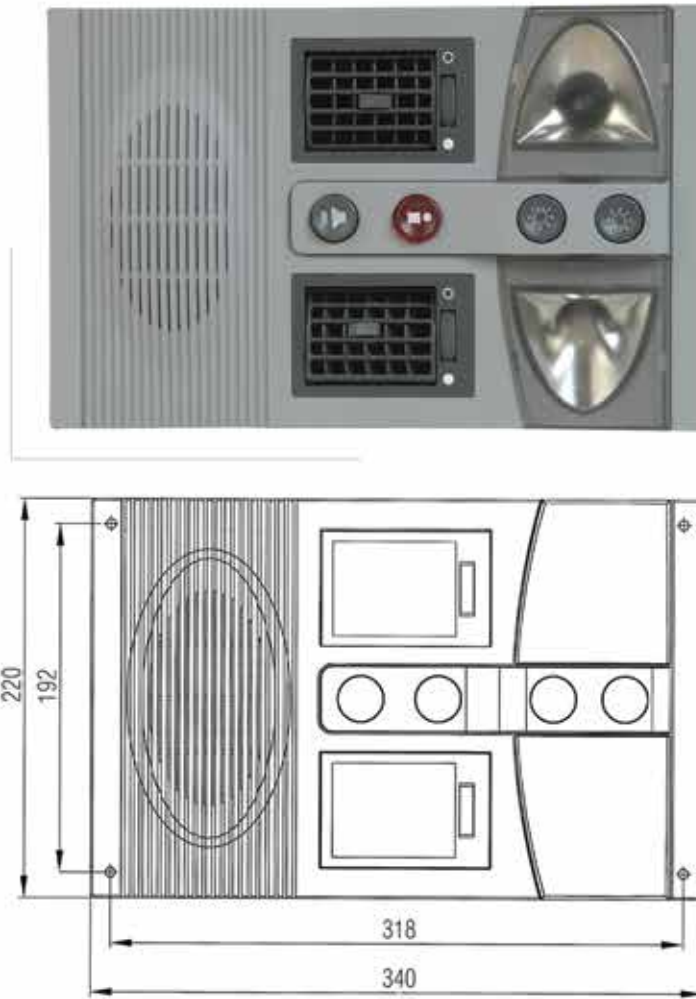


06MFU0442-001
Please order 5 pcs of 06YFU2001-002 for each spacer-part



06MFU0382-001
Please order 4 pcs of 06YFU2001-002 for each spacer-part





Service Set

- Air diffusers with adjustment of air flow output and direction ventilation
- 5W speaker
- Reading lamp with push-button and 5 Watts light bulb
- All components are made with plastic materials have been approved in compliance with directive 95-28 EC

With speaker and with service call button

06MFL6060-001 Left
06MFR6070-001 Right

With speaker and without service call button

06MFL6060-002 Left
06MFR6070-002 Right

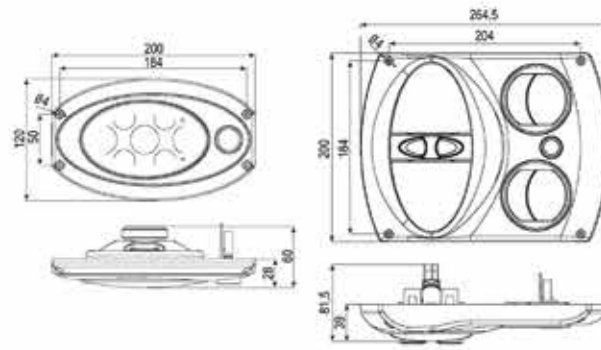
PART NO	DESCRIPTION														
	L: 175 mm	L: 200 mm	L: 225 mm	L: 250 mm	L: 275 mm	L: 300 mm	L: 325 mm	L: 350 mm	L: 375 mm	L: 400 mm	L: 425 mm	L: 450 mm	L: 475 mm	L: 500 mm	L: 525 mm
06MFU0175-001	•														
06MFU0200-001		•													
06MFU0225-001			•												
06MFU0250-001				•											
06MFU0275-001					•										
06MFU0300-001						•									
06MFU0325-001							•								
06MFU0350-001								•							
06MFU0375-001									•						
06MFU0400-001										•					
06MFU0425-001											•				
06MFU0450-001												•			
06MFU0475-001													•		
06MFU0500-001														•	
06MFU0525-001															•

Modular Service Set

- Air diffusers with adjustment of air flow output and direction ventilation
- 8 Ohm , 5W speaker
- Reading lamp with push-button and 3 Watts light bulb
- All components are made with plastic materials have been approved in compliance with directive 95-28 EC



PART NO	Service Set						Speaker		
	RAL 7042	RAL 7043	RAL 9005	Service Button	Stop Button	Left	Right	With Pas Con.	Without Pas Con.
06MFL8925-001	•	•		•		•	•		
06MFL8925-002	•	•				•	•		
06MFL8925-003	•		•	•		•	•		
06MFL8925-004	•	•		•		•	•		
06MFL8925-006	•		•			•	•		
06MFL8925-007	•	•				•	•		
06MFR8925-001	•	•				•	•		
06MFR8925-002	•	•				•	•		
06MFR8925-003	•		•	•		•	•		
06MFR8925-004	•	•		•		•	•		
06MFR8925-006	•		•			•	•		
06MFR8925-007	•	•				•	•		
06MFL8926-001	•	•				•	•	•	•
06MFL8926-002	•	•				•	•	•	•
06MFL8926-003			•			•	•	•	•
06MFL8926-004			•			•	•	•	•
06MFL8926-005		•				•	•	•	•
06MFL8926-006		•				•	•	•	•

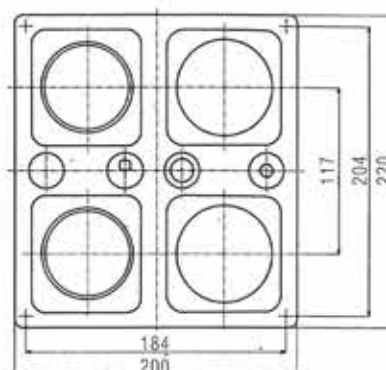


Service Set

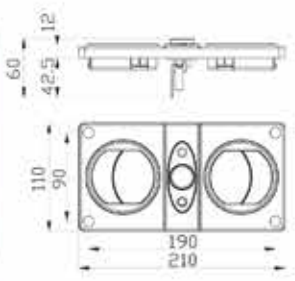
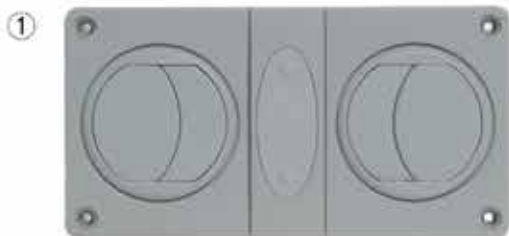
- Adjustable air diffuser
- Reading lamp with push-button and 2 Watts light bulb
- All components are made with plastic materials have been approved in compliance with directive 95-28 EC

With service call button
 06MFL2997-002 Left
 06MFR2997-002 Right

Without service call button
 06MFL2997-001 Left
 06MFR2997-001 Right



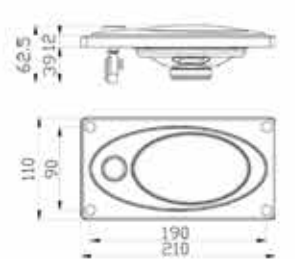
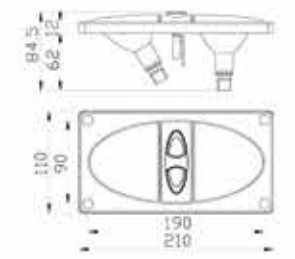
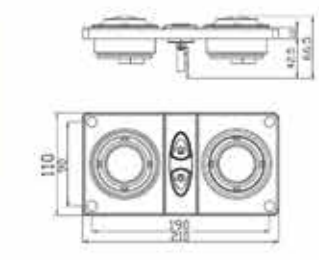
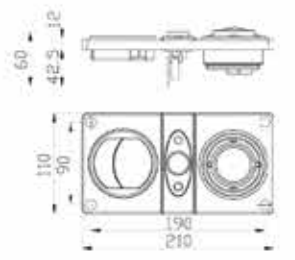
MODECO SERIES



Modeco Series designed to provide the most effective system which can be combined with 3 separate units; Illumination, Air Nozzles, Speaker upon customer's requirement at the most economical cost. Air Nozzles and Service Call Button are integrated in addition with the LED Night Lights on the body which comes in multiple color and with or without Service Call Button and LED Night Light optional combinations.



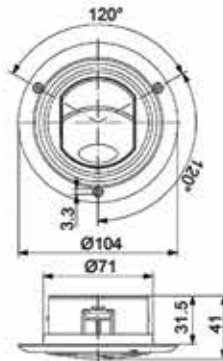
NO	DESCRIPTION	06MFU1885-831	06MFU1050-003	06MFU1030-008	06MFU1030-003	06MFU1020-008	06MFU1020-007	06MFU1020-006	06MFU1020-005
1									
2						•			•
3							•		
4								•	
5				•					
6		•							
7					•				
8			•						
PART NAME									
	Air diffuser unit			•		•	•	•	•
	Illumination unit	•		•	•				
	Speaker unit		•						
	Rail 7040	•	•	•	•	•	•	•	•
	Bulb 5W (12V,24V)				•				
	Bulb 2W (12V,24V)	•		•					
	Metal grill (Rail 7040)		•						
	Speaker (8 Ohm 5W)		•						
	Hostes Calling							•	•
	Night light with Led					•			•



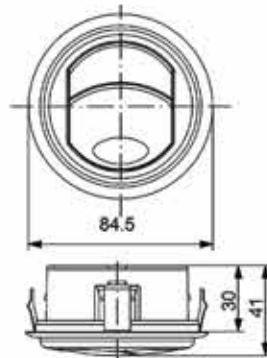
Air Diffuser

Adjustable air flow direction and volume

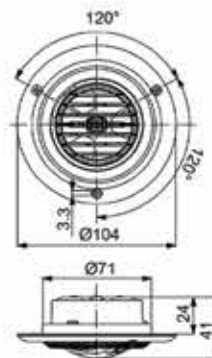
Fixing on 10mm thick roof panel, installation by clips or screw intermediate mounting hole Ø77 for clips intermediate



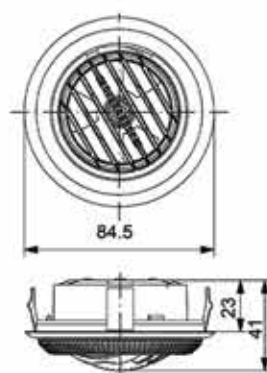
Part No	Color
06MFU4285-007	RAL 7035
06MFU4285-008	RAL 7040
06MFU4285-009	RAL 7042
06MFU4285-010	RAL 7043
06MFU4285-011	RAL 9005



Part No	Color
06MFU4285-002	RAL 7035
06MFU4285-003	RAL 7040
06MFU4285-004	RAL 7042
06MFU4285-005	RAL 7043
06MFU4285-006	RAL 9005



Part No	Color
06MFU2006-006	RAL 7035
06MFU2006-007	RAL 7040
06MFU2006-008	RAL 7042
06MFU2006-009	RAL 7043
06MFU2006-010	RAL 9005

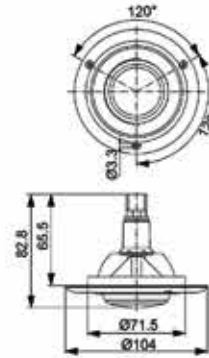


Part No	Color
06MFU2006-002	RAL 7035
06MFU2006-001	RAL 7040
06MFU2006-003	RAL 7042
06MFU2006-004	RAL 7043
06MFU2006-005	RAL 9005

Moduler Lamp with Bulb

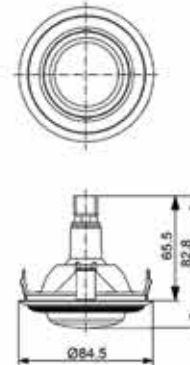
Adjustable Light Unit

Fixing on 10mm thick roof panel, installation by clips or screw intermediate mounting hole Ø77 for clips intermediate Bulb:3W (24-12V)



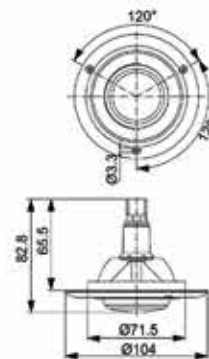
24V	Part No	Color
	06MFU2007-011	RAL 7035
	06MFU2007-012	RAL 7040
	06MFU2007-013	RAL 7042
	06MFU2007-014	RAL 7043
	06MFU2007-015	RAL 9005

12V	Part No	Color
	06MFU2007-251	RAL 7035
	06MFU2007-252	RAL 7040
	06MFU2007-253	RAL 7042
	06MFU2007-254	RAL 7043
	06MFU2007-255	RAL 9005



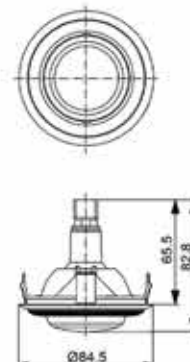
24V	Part No	Color
	06MFU2007-002	RAL 7035
	06MFU2007-001	RAL 7040
	06MFU2007-003	RAL 7042
	06MFU2007-004	RAL 7043
	06MFU2007-005	RAL 9005

12V	Part No	Color
	06MFU2007-242	RAL 7035
	06MFU2007-241	RAL 7040
	06MFU2007-243	RAL 7042
	06MFU2007-244	RAL 7043
	06MFU2007-245	RAL 9005



24V	Part No	Color
	06MFU2007-016	RAL 7035
	06MFU2007-017	RAL 7040
	06MFU2007-018	RAL 7042
	06MFU2007-019	RAL 7043
	06MFU2007-020	RAL 9005

12V	Part No	Color
	06MFU2007-256	RAL 7035
	06MFU2007-257	RAL 7040
	06MFU2007-258	RAL 7042
	06MFU2007-259	RAL 7043
	06MFU2007-260	RAL 9005



24V	Part No	Color
	06MFU2007-007	RAL 7035
	06MFU2007-006	RAL 7040
	06MFU2007-008	RAL 7042
	06MFU2007-009	RAL 7043
	06MFU2007-010	RAL 9005

12V	Part No	Color
	06MFU2007-247	RAL 7035
	06MFU2007-246	RAL 7040
	06MFU2007-248	RAL 7042
	06MFU2007-249	RAL 7043
	06MFU2007-250	RAL 9005

Moduler Lamp with LEDs

Adjustable Light Unit

Fixing on 10mm thick roof panel, installation by clips or screw intermediate mounting hole $\varnothing 77$ for clips intermediate

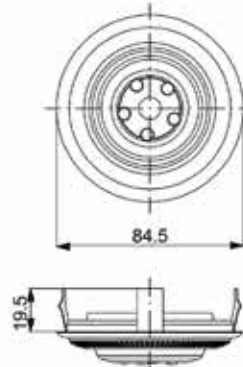


Without passenger control button



24V	Part No	Color
	06MFU2007-215	RAL 7035
06MFU2007-216	RAL 7040	
06MFU2007-217	RAL 7042	
06MFU2007-218	RAL 7043	
06MFU2007-219	RAL 9005	

12V	Part No	Color
	06MFU2007-235	RAL 7035
06MFU2007-236	RAL 7040	
06MFU2007-237	RAL 7042	
06MFU2007-238	RAL 7043	
06MFU2007-239	RAL 9005	



24V	Part No	Color
	06MFU2007-210	RAL 7035
06MFU2007-211	RAL 7040	
06MFU2007-212	RAL 7042	
06MFU2007-213	RAL 7043	
06MFU2007-214	RAL 9005	

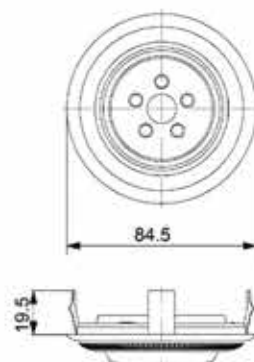
12V	Part No	Color
	06MFU2007-230	RAL 7035
06MFU2007-231	RAL 7040	
06MFU2007-232	RAL 7042	
06MFU2007-233	RAL 7043	
06MFU2007-234	RAL 9005	

With passenger control button



24V	Part No	Color
	06MFU2007-205	RAL 7035
06MFU2007-206	RAL 7040	
06MFU2007-207	RAL 7042	
06MFU2007-208	RAL 7043	
06MFU2007-209	RAL 9005	

12V	Part No	Color
	06MFU2007-225	RAL 7035
06MFU2007-226	RAL 7040	
06MFU2007-227	RAL 7042	
06MFU2007-228	RAL 7043	
06MFU2007-229	RAL 9005	



24V	Part No	Color
	06MFU2007-200	RAL 7035
06MFU2007-201	RAL 7040	
06MFU2007-202	RAL 7042	
06MFU2007-203	RAL 7043	
06MFU2007-204	RAL 9005	

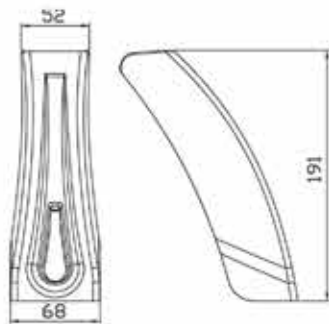
12V	Part No	Color
	06MFU2007-220	RAL 7035
06MFU2007-221	RAL 7040	
06MFU2007-222	RAL 7042	
06MFU2007-223	RAL 7043	
06MFU2007-224	RAL 9005	



Cover for Luggage Rack

With night light blue led
(Isuzu, Novo)

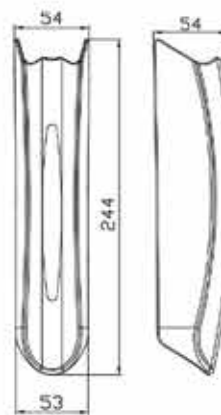
06MFU3502-003 Metallic Grey - 24V



Cover for Luggage Rack

With night light blue led
(Isuzu, Turkuaz)

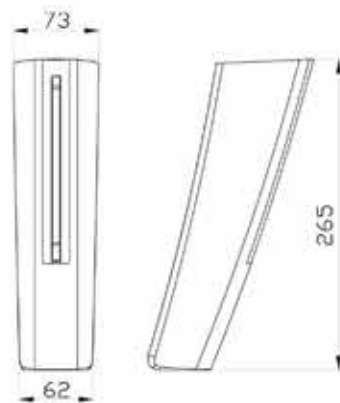
06MFU3502-005 (Ral 7044) - 24V



Cover for Luggage Rack

With night light blue led
(Man, Fortuna)

06MFU1501-001 Grey Painted

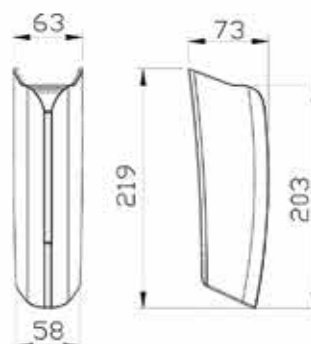


Cover for Luggage Rack

With night light blue led

06MFU3502-001 - 24V

06MFU3502-002 - 12V



Customized continuous lighting system

Bus continuous lighting system

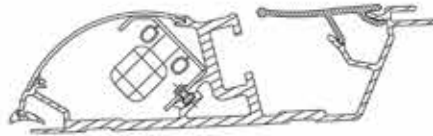
- Aluminium profile (eloxiert)
- PC diffuser lens profile
- Inverters
- Fluorescent tubes (14, 21, 28 and 35 W)
- Night light with LED
- Harness

System is designed according to the customer's request.



Continuous lighting system (BMC Bus)

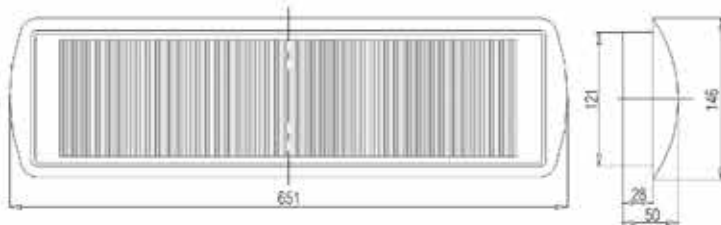
05MFL1443-001
05MFR1442-001



Continuous lighting system (MAN Fortuna)

05MFU6604-002





For Flush Mounting

- 05MFU1998-001 (24V)
- 05MFU1998-017 (12V)

Spare Parts

- 05YFU1998-011 Lens, with frame

Bulbs to be used
1x8W (12V, 24V)

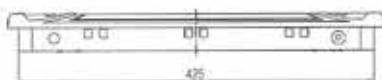
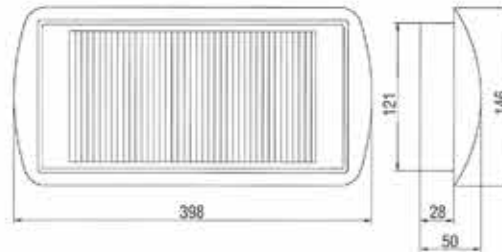
For Flush Mounting

- 05MFU1998-002 (24V)
- 05MFU1998-018 (12V)

Spare Parts

- 05YFU1998-010 Lens, with frame

Bulbs to be used
1x8W (12V, 24V)



For Flush Mounting

General lighting, night light

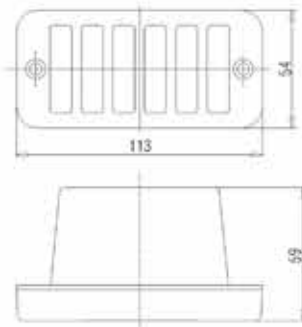
- 05MFU0809-005 Blue LED, RAL 7040
- 05MFU0809-006 Orange LED, RAL7040
- 05MFU0809-007 Orange LED, RAL 7035
- 05MFU0809-008 Blue LED, RAL 7035

Spare Parts

- 05YFU0809-010 Lens, RAL7040
- 05YFU0809-011 Lens, RAL7035

Bulbs to be Used

- 1x8W (12V, 24V) Fluorescent tube 1x8W 16mm dia., G5 base general lighting
- T2W (x2) Night light



For Flush Mounting

Aisle and entry lamp with stainless steel

- 04MFU9405-245
- 04MFU9405-247 Black

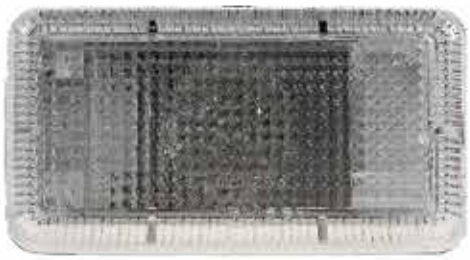
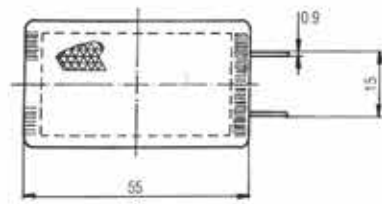
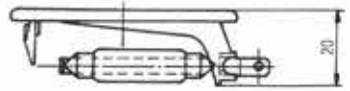
Bulbs to be used
R5W (12V, 24V)

For Flush Mounting

Aisle lighting lamp
(Mercedes - Benz O 403 bus)

- 04MFU0101- 613 Clear
- 04MFM0101- 613 Blue
- 04MFK0101- 613 Red

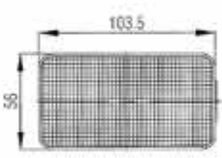
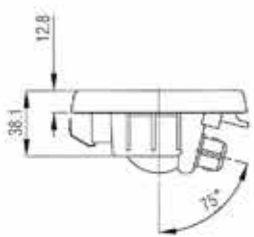
Bulbs to be used
C5W (12V, 24V)



For horizontal flush mounting

03MFU1003-001 Aisle lighting

Bulbs to be used
W5W (12V, 24V)



Universal Roof Ventilator

With interior air shutter

- Water blocking
- Strainer
- EMC approval

07MFP1241-375 (12 V)

07MFP2441-375 (24 V)

07YFP2442-351 Interior air shutter

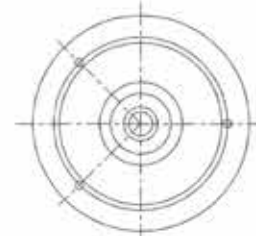
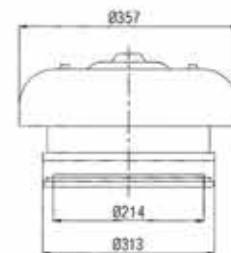
Technical specifications

Suction

Voltage	VDC	12	24
Current	A	4,5	2,5
Speed	rpm	2600	2750
Volumetric flow	m ³ /h	810	910
Sound pressure level	dB	68	66
Rotation	-	CW	CW

Blowing

Voltage	VDC	12	24
Current	A	4,5	2,5
Speed	rpm	2600	2750
Volumetric flow	m ³ /h	760	810
Sound pressure level	dB	72,5	72
Rotation	-	CCW	CCW

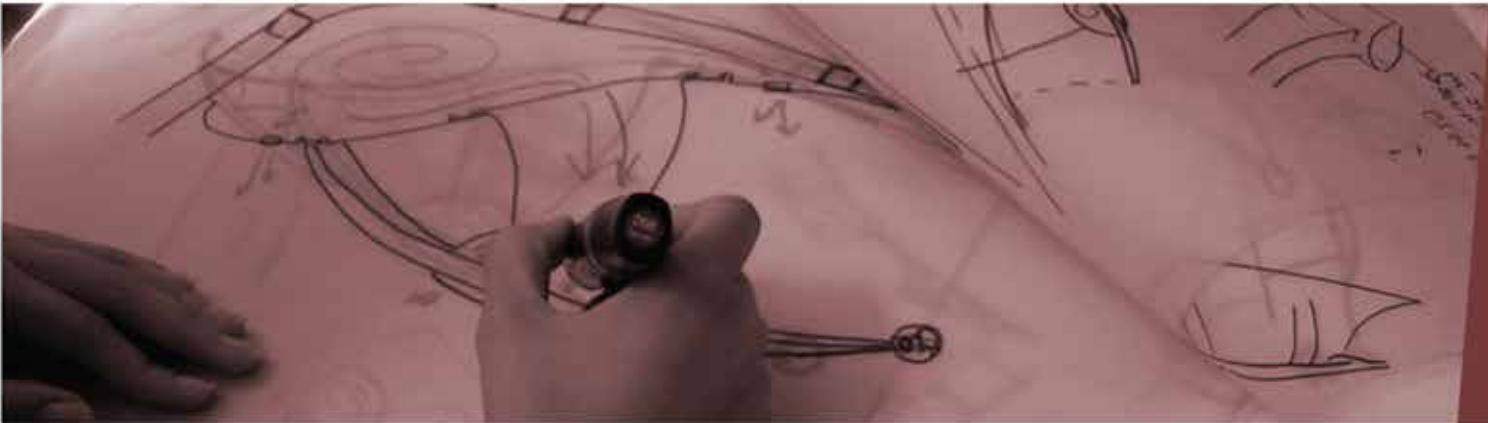


COPYRIGHTS

The products presented in this catalogue represent our current range; and we expressly reserve the right to make technical alterations and amend specifications without prior notice of this catalogue. FARPLAS A.Ş. assumes no responsibility for printing errors.

FARPLAS A.Ş. reserves all rights related to design of the products together with the catalogue; reprinting, reproduction and distribution of the contents of this catalogue are not permitted unless FARPLAS A.Ş. has given its written approval.

Basım Tarihi: Ağustos 2015





FARPLAS

Taysad Organize Sanayi Bölgesi
3.Cadde,31.Sokak,No:1
41420 Şekerpınar / Çayırova – Kocaeli TURKEY
T : +90 262 679 65 00
F : +90 262 679 65 54
www.farplas.com.tr

